

PHASE PROTECTION RELAY - 4 functions (3Ph+N)

PPR-05F

VTEKE[®]

www.vteke.com.tr

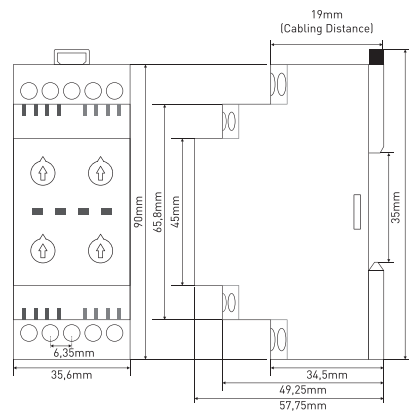
TECHNICAL SPECIFICATIONS

PARAMETER	VALUE
Operating Voltage	3X380V AC
Operating Frequency	50 / 60 Hz
Operating Power	<6VA
Operating Temperature	-20°C.....55°C
Weight	<210Gr
Connection	3-Phase with N
Protection Functions	Phase Protection Over/Under Voltage; Supply Voltage Phase Sequence; Phase Absence Neutral Absence
Over Voltage	300 V(L-N)
Under Voltage	140 V(L-N)
Asymmetry	%5-%25
Delay Time	0.1sec – 20sec
Reset Time	0.1sec – 20sec
Display	4 LEDS
Contact	1NO+1NC; 5A/250VAC
Protection Class	IP20
Connection Type	Terminal Connection
Cable Diameter	Max2.5mm ²
Mounting	DIN Rail Mounting
Working Altitude	<2000 meter

PHOTO



DIMENSIONS



CONNECTION DIAGRAM

