

PHASE PROTECTION RELAY - 4 functions (3Ph without N)

PPR-06F

VTEKE[®]
www.vteke.com.tr

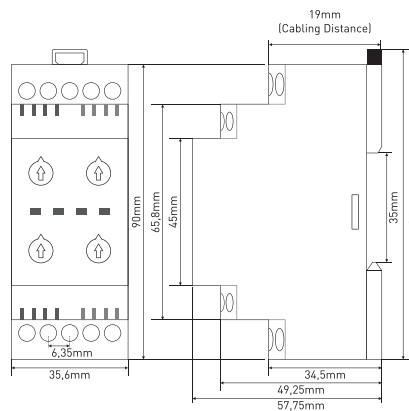
TECHNICAL SPECIFICATIONS

PARAMETER	VALUE
Operating Voltage	3X380V AC
Operating Frequency	50 / 60 Hz
Operating Power	<6VA
Operating Temperature	-20°C.....55°C
Weight	<210Gr
Connection	3-Phase without N
Protection Functions	Phase Protection Over/Under Voltage; Supply Voltage Phase Sequence; Phase Absence
Over Voltage	500 V(L-L)
Under Voltage	240 V(L-L)
Asymmetry	%5-%25
Delay Time	0.1sec – 20sec
Reset Time	0.1sec – 20sec
Display	4 LEDS
Contact	1NO+1NC
Protection Class	5A/250VAC
Connection Type	IP20
Cable Diameter	Terminal Connection
Mounting	Max2.5mm ²
Working Altitude	DIN Rail Mounting <2000 meter

PHOTO



DIMENSIONS



CONNECTION DIAGRAM

