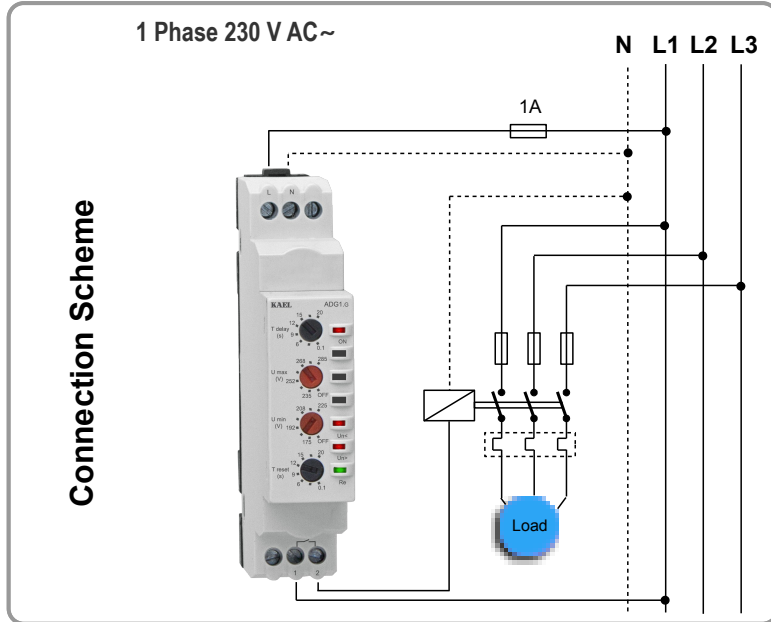
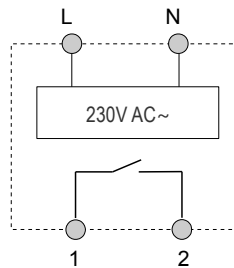
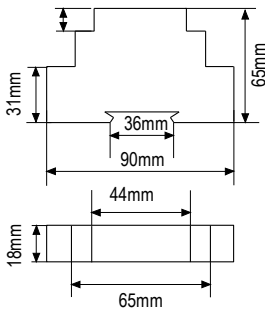


Un <	Over Voltage Protection	OFF,	235V ..... 285V
Un >	Under Voltage Protection	OFF,	175V ..... 225V
$T_d$	Delay Time (T_dly)	0,1 s ..... 20 s	
$T_r$	Delay Time (T_reset)	0,1 s ..... 20s	


**TECHNICAL DATA:**


**Rated Voltage (Un)** : 230V AC~  
**Operating Range** :  $(0,70 - 1,30) \times Un$  (Un : nominal voltage)  
**Frequency** : 50/60 Hz.  
**Delay Time** : 0,1 - 20 sec.  
**Contact current** : Max.5 A / 250 Vac  
**Power Consumption** : < 2 VA  
**Device Protection Class** : IP20  
**Connector Protection Class**: IP00  
**Ambient Temperature** : - 20 °C....+ 60 °C  
**Connection Type** : To connection rail in electrical panel  
**Dimensions** : 18x90x65 mm


**Working mode**

Hys= 3V

**Over & Under Voltage Protection ( Window Mode )**
