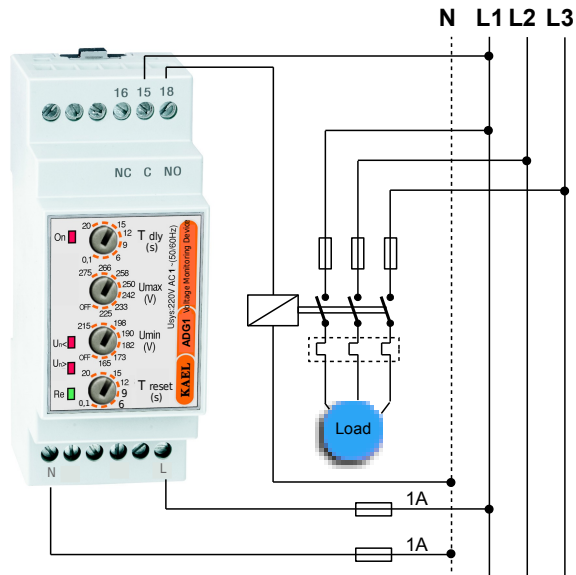


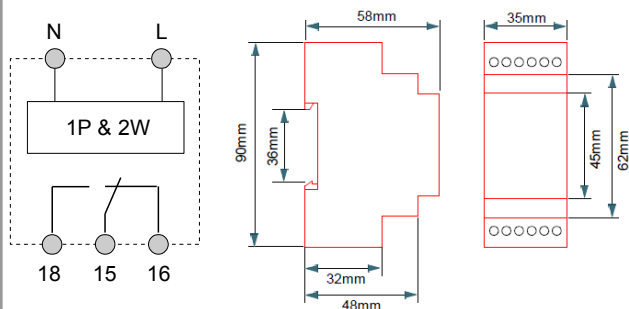
Un <	Over Voltage Protection	OFF, 225V..... 275V
Un >	Under Voltage Protection	OFF, 165V..... 215V
	Delay Time (T_dly)	0,1 s 20 s
	Delay Time (T_reset)	0,1 s 20 s

Connection



TECHNICAL DATA:

Rated Voltage (Un)	: 220V AC~
Operating Range	: (0,70 - 1,30) x Un (Un : nominal voltage)
Frequency	: 50/60 Hz.
Delay Time	: 0,1 - 20 sec.
Contact current	: Max.5 A / 250 Vac
Power Consumption	: < 2 VA
Device Protection Class	: IP20
Connector Protection Class	: IP00
Ambient Temperature	: - 20 °C.....+ 60 °C
Connection Type	: To connection rail in electrical panel
Dimensions	: 35x90x58 mm



Operating

Hys= 3V

Over and Under Voltage Protection (Window mode)

