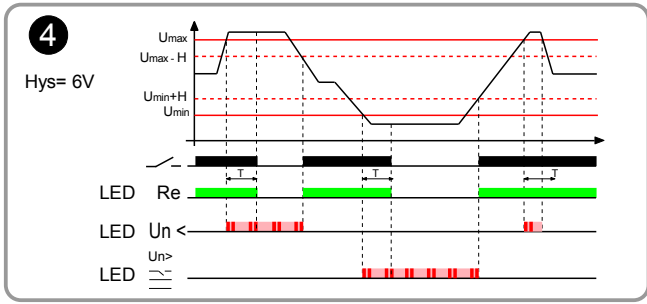
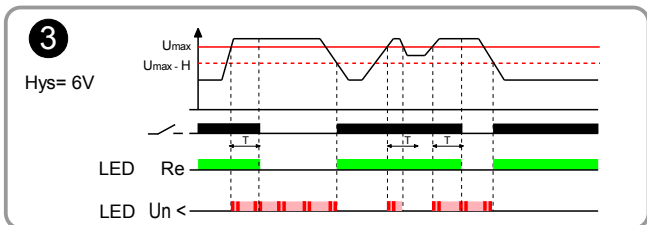
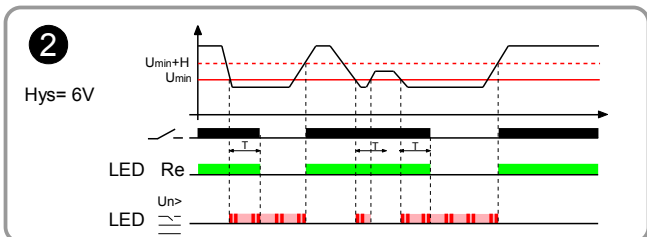
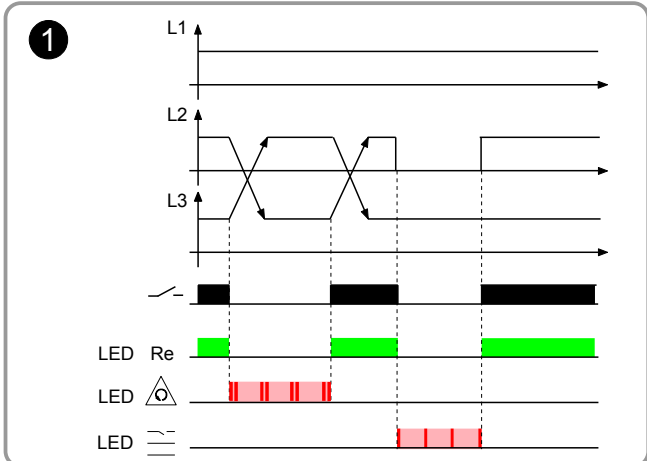
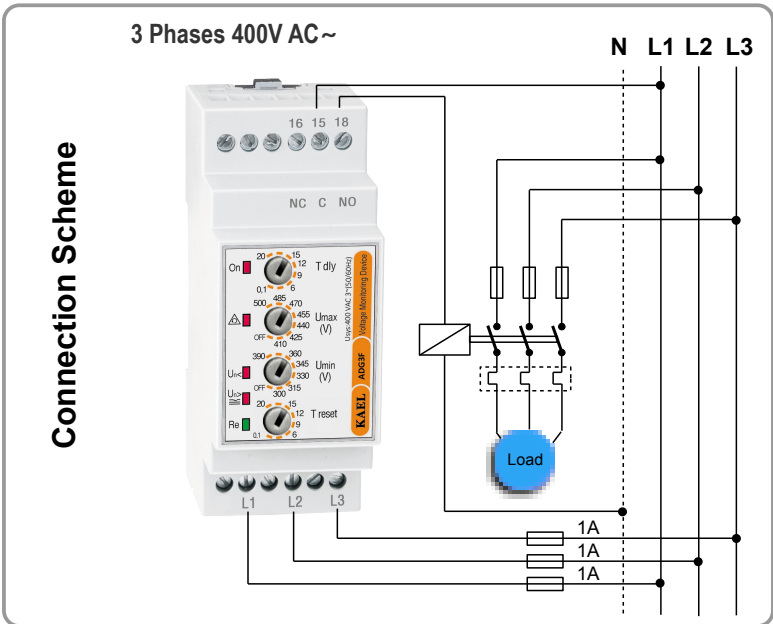


	Phase Sequence Control	
Un <	Over Voltage Protection	OFF, 410V 500V
Un >	Under Voltage Protection	OFF, 300V 390V
	Phase Loss	
	Delay Time (T_dly)	0,1 s 20 s
	Delay Time (T_dly)	0,1 m 20 m
Sudden switch OFF: at 50% of Nominal voltage without time count		

- ### FUNCTIONS
- 1 Phase Sequence Control and Phase Loss
 - 2 Under Voltage Protection (Un >)
 - 3 Over Voltage Protection (Un <)
 - 4 Over and Under Voltage Protection (Window mode)

NOTE : Graphics are for off delay modes



TECHNICAL DATA:

Rated Voltage (Un) : 3 Phases 400V AC~

Operating Range : (0,70 – 1,30) x Un (Un : nominal voltage)

Frequency : 50/60 Hz.

Delay Time : 0,1 – 20 sec.

Contact current : Max.5 A / 250 Vac

Power Consumption : < 2 VA

Device Protection Class : IP20

Connector Protection Class: IP00

Ambient Temperature : - 20 °C....+ 60 °C

Connection Type : To connection rail in electrical panel

Dimensions : 35x90x58 mm