

DIN RAIL MULTIMETER

VK-M-DIN

VTEKE[®]

www.vteke.com.tr

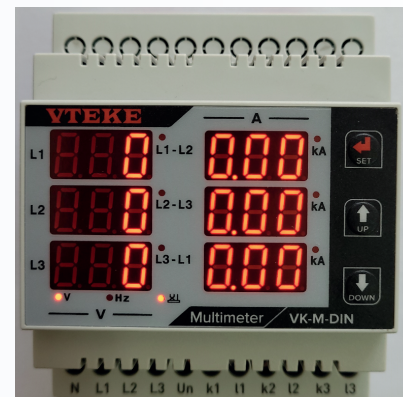
FEATURES

- 6 Displays at same times
- Measures 3-phase voltage, Current & Frequency
- Phase Sequence LED alarm
- Low depth case for narrow panels

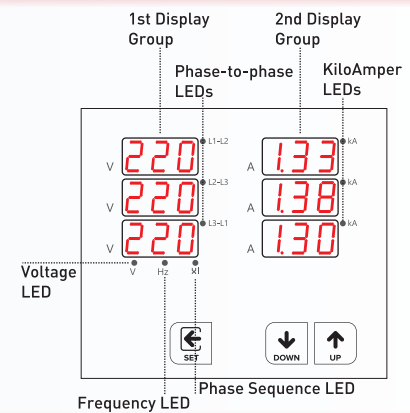
TECHNICAL SPECIFICATIONS

PARAMETER	VALUE
Operating Voltage	150-240VAC
Operating Frequency	50 / 60 Hz
Operating Power	<6VA
Operating Temperature	-20°C....55°C
Input Voltage (L-N)	1V - 300VAC
Voltage Measuring Range	1V - 300VAC (L-N) 1V - 500VAC (L-L)
Current Measuring Range	50mA to 5.5A (for CT 5/5A to 5000/5A)
Accuracy	%±1
Supported Connection	3P4W
Weight	<325Gr
Protection Class	IP41[Front Panel], IP20[Body]
Connection Type	Plug-in Terminal Connection
Cable Diameter	Max 2.5mm ²
Mounting	DIN Rail Mounting
Working Altitude	<2000 meter

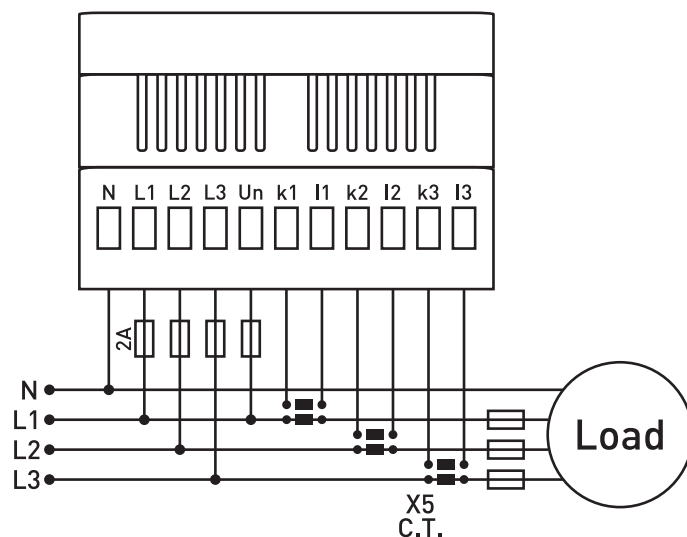
PHOTO



SCREEN PARAMETERS



CONNECTION DIAGRAM



DIMENSIONS

