

MULTIMETER-03-72



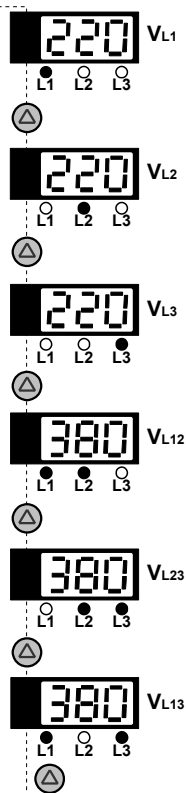
MULTIMETER

VL1, VL2, VL3
VL12, VL23, VL13
IL1, IL2, IL3
Hz

TRUE RMS

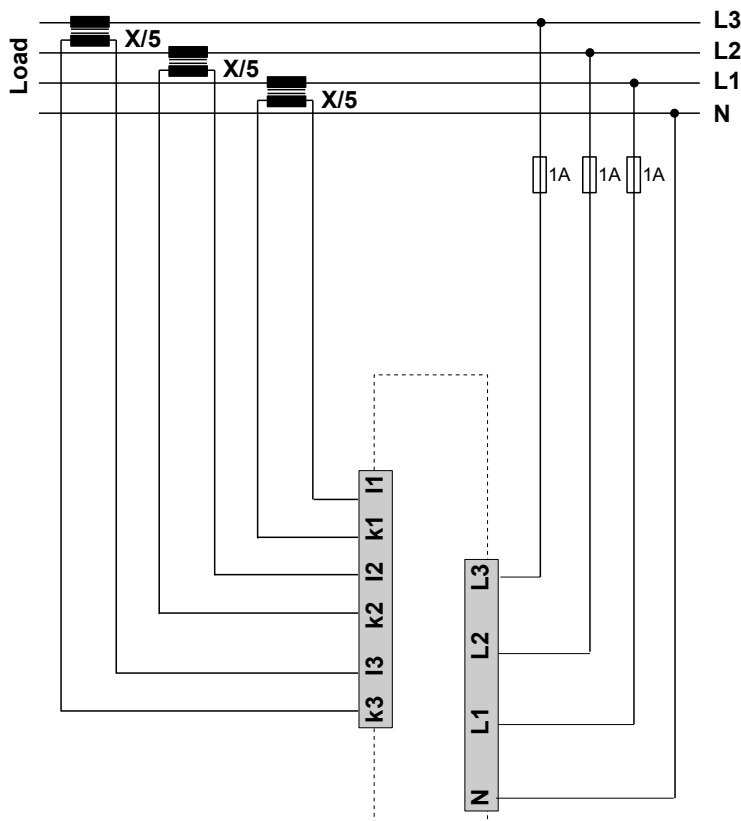


Display Functions:



Select Button : (Up direction) when pressing continuously, screen displays frequency of system. When button release device continue to show voltage.

Connection :



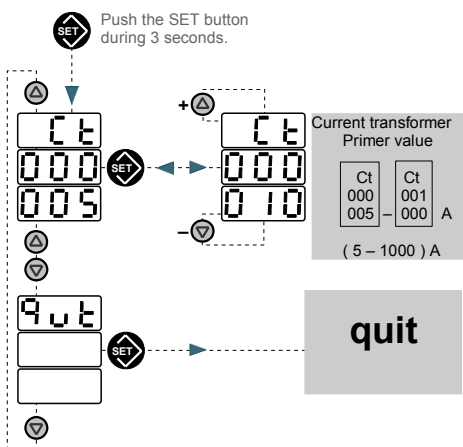
SPECIFICATIONS

- Microprocessor based
- Measurement of 3 phase electrical quantities (VL-N, A, VL-L, Hz)
- Setting of current transformer primer value
- Easy Access to menu
- Reduces both number of measurement equipment used in the panel and connection time.
- Lower Electrical panel costs.

General

Multimet-03-72 gives the ability of tracking electrical parameters for 3 phase systems such as, phase currents, phase-neutral & phase-phase voltages, frequency. Current transformer primer value can be set by the user. Using the directions buttons, desired parameters can be accessed easily.

ACCESSING PARAMETER MENU:



IMPORTANT: L1 - N is device supply inputs. Thus, the applied L1 - N voltage must be rated voltage of system. Otherwise normal led makes flash and the device switched off its output contact. The measured frequency also must be the frequency of the system.

TECHNICAL INFORMATION:

Rated Voltage (Un)	: 220Vac (L1-N)
Operating Range	: (0,8-1,1) x Un
Frequency	: 50 / 60 Hz
Supply Power Consumption	: < 4VA
Current Transformer Ratio	: X / 5A
Current Measurement Range	: (for seconder current) 0,05 - 6 Amp AC
Voltage Measurement Range	: (Phase-Phase) 10 - 500 Vac, 45 - 65Hz : (Phase-Neutral) 10 - 300 Vac, 45 - 65Hz : For power supply(L1 - N) 176V - 242V
Voltage Measurement	
Power Consumption	: <1VA (for one phase)
Measurement Sensitivity	: %1±1 digit
Contact Current	: Max. 3A / 240Vac
Device Protection Class	: IP 20
Connector Protection Class	: IP 00
Temperature	: - 5 °C + 50 °C
Connection Type	: To front panel tap
Dimensions	: 72x72x80 mm



ATTENTION !!!

- Clean the device using dry dust cloth after turned off device.
- Read and follow the instruction on this manual and attached label.