

Introduction

The device was designed to measure, report and analyse the electrical magnitudes in the 3-phase electric network and both design and software were produced by KAEEL engineers. The state-of-the-art technologies were inserted in this device and both menus which facilitate the use of the user and the required features were included.

All the information and warnings you need to know concerning the device were described in the user operation manual. Please read this manual carefully before engaging with the device. Please do not take any action before consulting with our company for any matters not clearly understood.

Tel: +90 232 877 14 84 (pbx) Fax: +90 232 877 14 49
Factory: Atatürk Mh. 78. Sok. No:10 Ulucak Köyü Kemalpaşa İzmir- TURKIYE

⚠ WARNINGS

- 1- The device shall be engaged by competent and licensed persons in conformity with the instructions set forth in the operation manual. In case required, controls shall be carried out by such persons also.
- 2- Do not open the inside of the device or cause to be opened. There are no parts inside the device which the user or anyone else may intervene.
- 3- Use the device according to assembly instructions
- 4- Before making electrical connection to the terminals of the device, make sure there is no electric power on the cables and terminals. The switchboard shall not have electric power on.
- 5- The fuses used in the device are of 1A FF type.
- 6- Make sure to fix the device on the switchboard firmly without swings with the apparatus given with the device.
- 7- Do not touch the keys on the front panel of the device with any substance other than your finger.
- 8- Wipe the device only with dry cloths after making sure the electric energy of the device is cut-off. Water or chemicals used for cleaning may cause damage to the device.
- 9- Before activating (energizing) your device please make sure that the terminal connections are made according to the connection scheme and without causing any contact problems (loose connection or contact of multiple copper cables).
- 10- The above measurements and warnings are for your safety. Kael Elektronik Ltd Şti or the dealer may not be held liable for any inconveniences when those warnings are not observed.

Features

- Easy use with menu
- Improved dynamic software
- Ability to enter current and voltage transformer rates
- True RMS
- Voltage, current and harmonic protection
- Password protection
- 3P&4W, 3P&3W, ARON Connection

Measurements

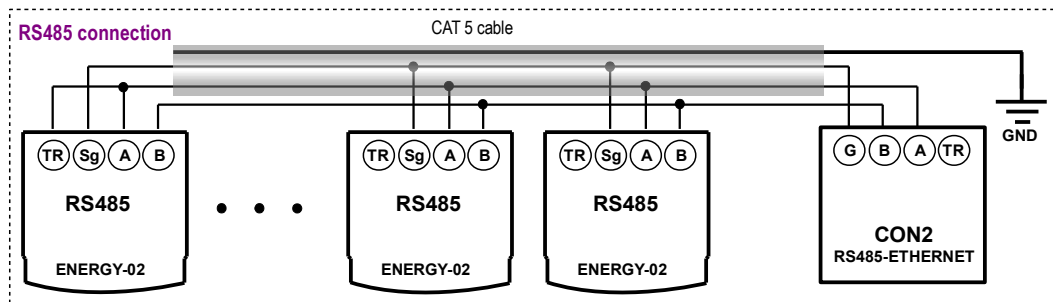
- Active Power (ΣP)
- Inductive Reactive Power $\Sigma Q(\text{ind})$
- Capacitive Reactive Power $\Sigma Q(\text{cap})$
- Apparent Power (ΣS)
- Active Energy (ΣkWh)
- Inductive Reactive Energy ($\Sigma kVARh(\text{ind})$)
- Capacitive Reactive Energy ($\Sigma kVARh(\text{cap})$)
- Peak and Demands

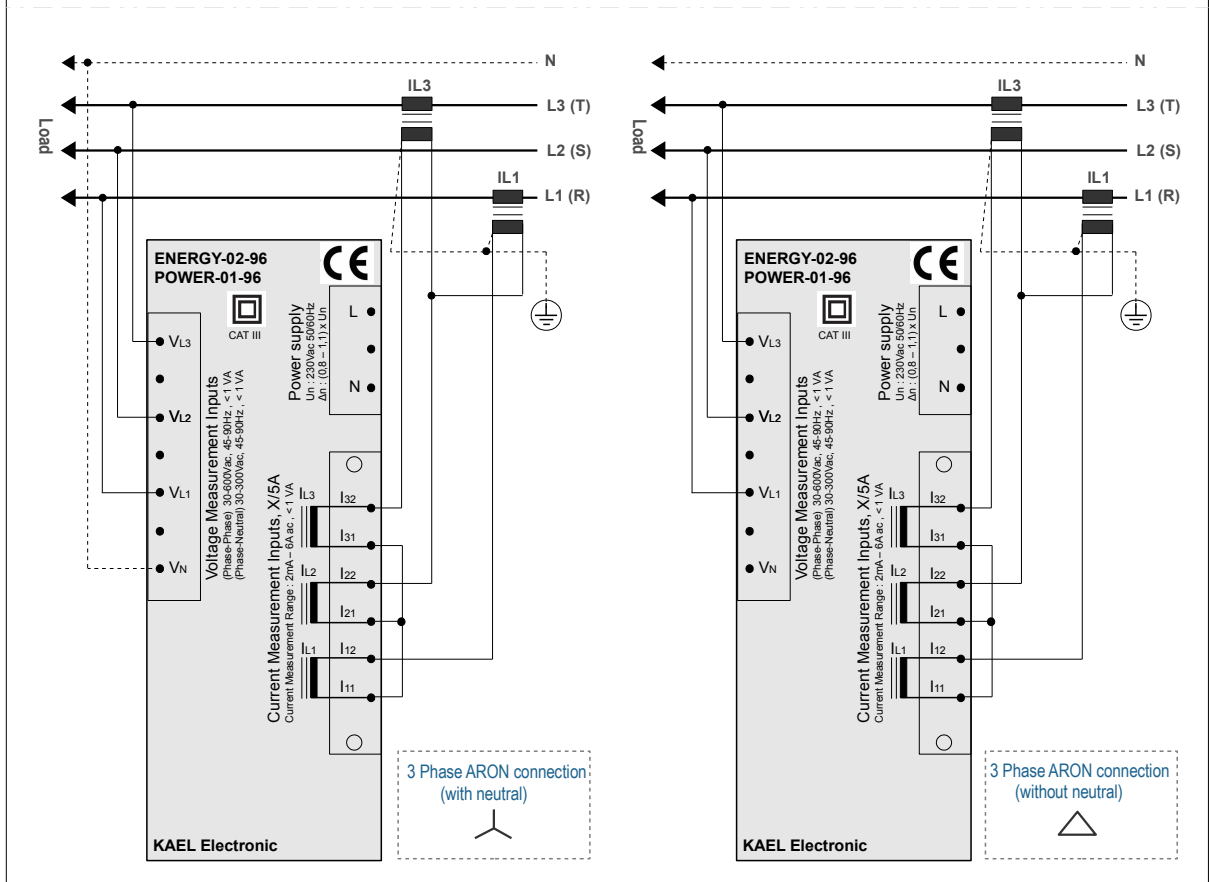
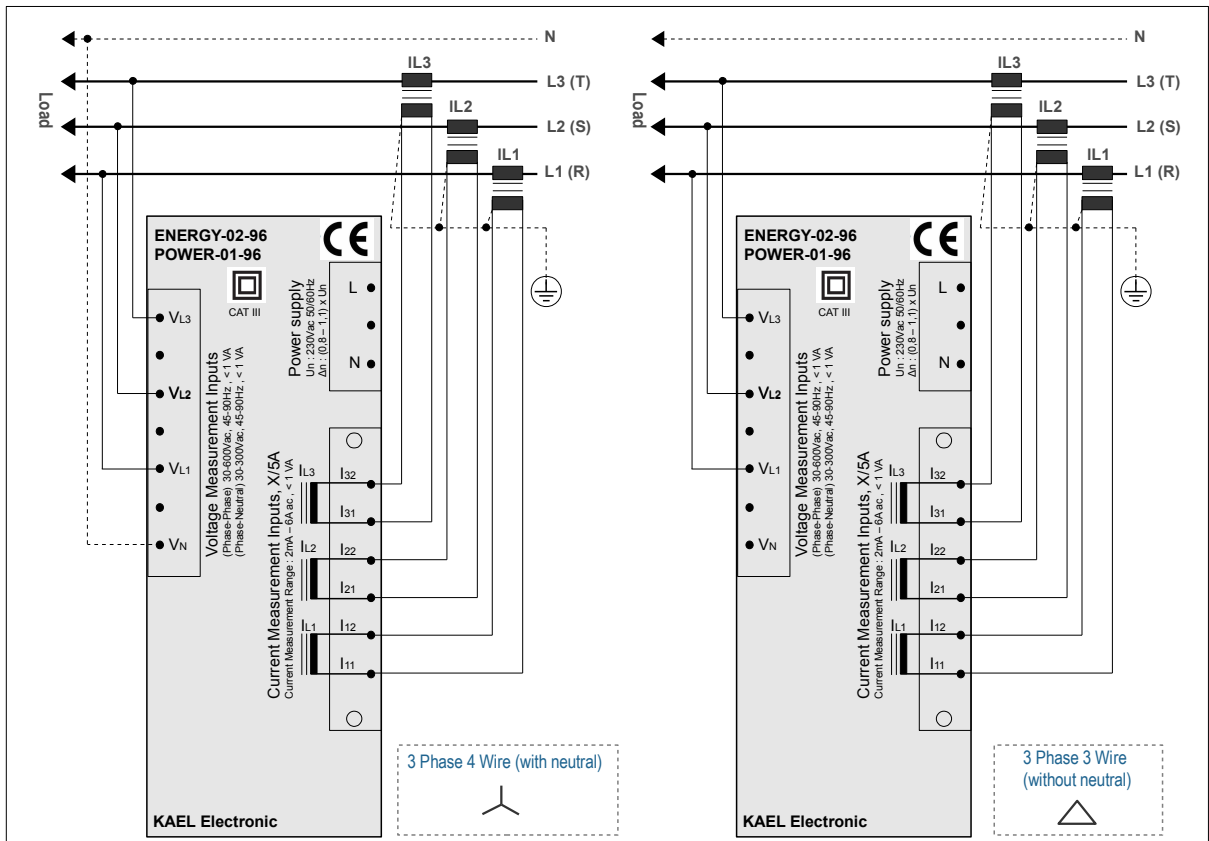
Outputs

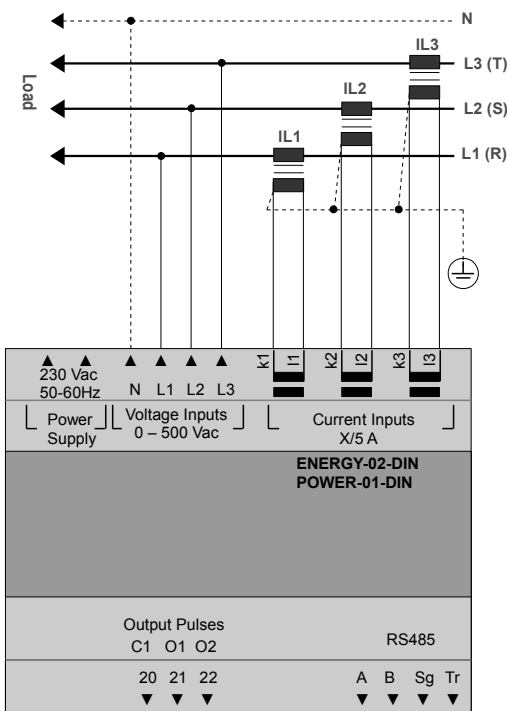
- Pulse Output (2pcs)
- RS-485 MODBUS-RTU

⚠ Making the Connections

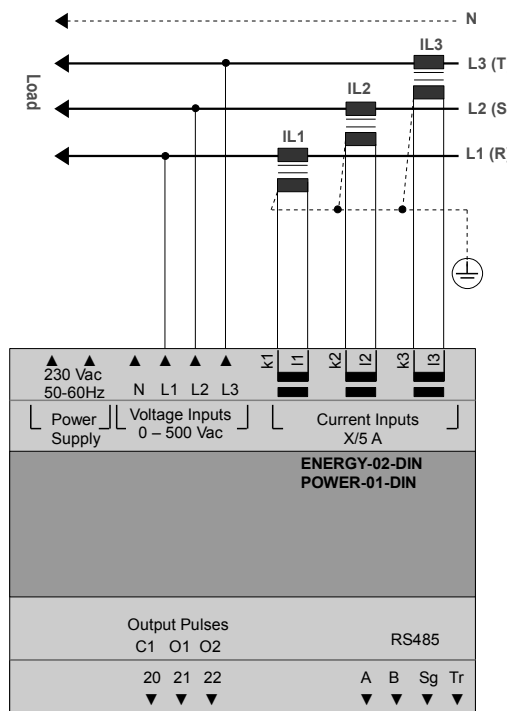
- The connections of the system must be made when it is out of power.
- The connections of the device shall be connected as shown in the connection scheme.
- The current and voltage connections shall be connected in a manner that they are placed on the same phase same current transformer and with the same direction. Connection scheme must be observed.
- The value of the current transformer chosen shall not be less than the real load value and $X/5$ amperes. Moreover, it is recommended to chose class 0,5.
- Fuses to be used shall be FF type. Fuses to be used shall be chosen according to given current values.
- RS485 connection shall be made.
- Do not supply power to the device before all the connections are checked by means of a measurement apparatus.
- The terminals for currents and voltage are suitable for cables with 2,5mm² cross- section.
- Pulse outputs, Inputs and RS485 terminals are suitable to max. 1,5 mm² cables
- CAT5 (category 5) cables are recommended for RS485 connection



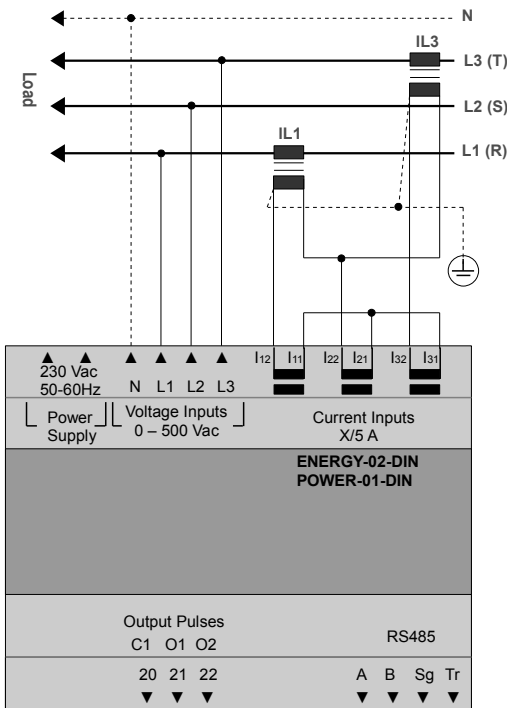




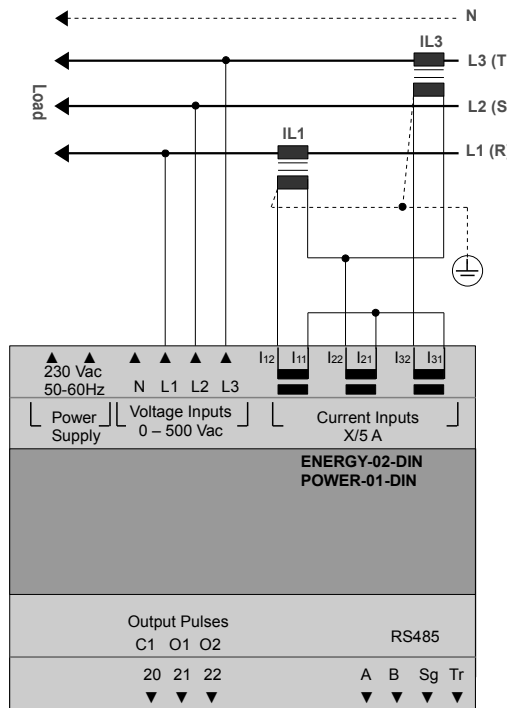
3 Phase 4 Wire (with neutral)



3 Phase 3 Wire (without neutral)



3 Phase ARON connection (with neutral)



3 Phase ARON connection (without neutral)

MEASUREMENTS

Power Factor (P.F)

P.F.

1000 — L1

0986 — L2

0982 — L3

Power Factor

MEASUREMENTS:

For ENERGY-02 (P.F, W, VAR, VA, ΣW, ΣVAR, ΣVA, ΣWh, ΣVArh, ΣVAh)
 For POWER-01 (P.F, W, VAR, VA, ΣW, ΣVAR, ΣVA)
 The above parameters can be reached step by step using arrow keys. Related leds lights up and displays the corresponding parameter value which is displayed at the same time.

Active Power (P1, P2, P3, ΣP)

Active powers for each phases, total active power , their peak and demand values can be found in this menu. Demand and peak values are cleared in (cLr P) menu . Also setting of the demand time can be set in (dEnn SET) menu.

NOT: POWER-01 do not measure the export powers.

W	K	imp. Σ W K	imp. peak W K	imp. max.dem W K	imp. min.dem W K	exp. Σ W K	exp. peak W K	exp. max.dem W K	exp. min.dem W K
1486	606L	2083	1684	1343	606L	0000	0000	0000	0000
1508	ACP	2178	1890	3476	ACP-	0000	0000	0000	0000
1563	4557	2356	1998	4185	0000	0000	0000	0000	0000
Active powers P1, P2, P3	Total import Active Power	Peak values of imp. active powers	Max.demand values of imp. active powers	Min.demand values of imp. active powers	Total export Active Power	Peak values of exp. active powers	Max. demand values of exp. active powers	Min. demand values of exp. active powers	

Reactive Power (+Q1, -Q1, +Q2, -Q2, +Q3, -Q3, ΣQ+, ΣQ-)

Reactive powers for each phases, total positive and negative reactive power , their peak and demand values can be found in this menu. Demand and peak values are cleared in (cLr q) menu . Also setting of the demand time can be set in (dEnn SET) menu.

VAR	K	Σ +VAR K	Σ -VAR K	peak +VAR K	peak -VAR K	max.dem +VAR K	max.dem -VAR K
3835	606L	606L	1390	-769	1089	-008	
3648	POS	766-	1568	-001	1273	-393	
4061	1154	2784	1480	-465	1186	-965	
Reactive powers ±Q1, ±Q2, ±Q3	Total positive reactive pow. (ΣQ+)	Total negative reactive pow. (ΣQ-)	Peak values of pos. reactive powers	Peak values of neg. reactive powers	Max.demand values of pos.reactive powers	Max.demand values of neg.reactive powers	

Apparent Power (S1,S2,S3, ΣS)

Apparent powers for each phases, total apparent power , their peak and demand values can be found in this menu. Demand and peak values are cleared in (cLr S) menu . Also setting of the demand time can be set in (dEnn SET) menu.

VA	K	Σ VA K	peak VA K	Max.dem VA K	Min.dem VA K
1486	606L	2083	1684	1343	
1508	AP-P	2178	1890	3476	
1563	4557	2358	1998	4185	
Apparent powers S1, S2, S3	Total apparent power (ΣS)	Peak values of apparent powers	Max.demand values of apparent powers	Min.demand values of apparent powers	

MEASUREMENTS

MEASUREMENTS

Active Energy (KWhr,MWhr,GWhr)
 Total import and export active energy can be monitored.
 Energies can be deleted in (CLR Energy) menu.

NOT: POWER-01 do not measure to the energies.

mp W hr K exp W hr K

Act Act -

0039 0000

2306 0000

Total import Active Energy Total export Active Energy

SET SET

Reactive Energy (KVARhr,MVARhr,GVARhr)
 Total import/export positive and negative energy can be monitored.
 Energies can be deleted in (CLR Energy) menu.

Apparent Energy (KVAhr)
 Apparent Energy can be deleted in (CLR Energy) menu.

mp VAR hr K mp VAR hr K exp VAR hr K exp VAR hr K

POS nE6- POS nE6-

0000 0000 0000 0000

1380 0655 0000 0000

Total import positive Reactive Energy Total import negative Reactive Energy Total export positive Reactive Energy Total export negative Reactive Energy

SET SET SET SET

VA hr K

APP-

0000

1682

Total Apparent Energy

Parameters

If the password is active, SET button is pressed for 3 seconds, the parameter menu can be accessed only after entering 4-digit password. Temporary password is "0000". if password is not active, you can enter to the parameter menu without entering password. First parameter is current transformer ratio. After pressing the SET key, value is increased or decreased by using the arrow keys. By pressing the SET button, the new value will be saved.

SET Press for 3 seconds PIN (Password) Factory setting for the password is "0000". To the desired number is reached by using the arrow keys for each a digit. Confirmed by pressing the SET key.

increase increase increase increase

Decrease Decrease Decrease Decrease

SET SET SET SET

Ct :Current Transformer Ratio (1.....5000)
 Current transformer ratio value is entered.
 Example: For 500 / 5A is entered 100. (500/5A=100)

Ut :Voltage Transformer Ratio (1.....4000)
 Voltage transformer ratio value is entered.
 Example: For 34500 /100V is entered 345. (34500/100V=345)

Ct

rAtE 0001

increase

Decrease

SET SET

Ut

rAtE 0010

increase

Decrease

SET SET

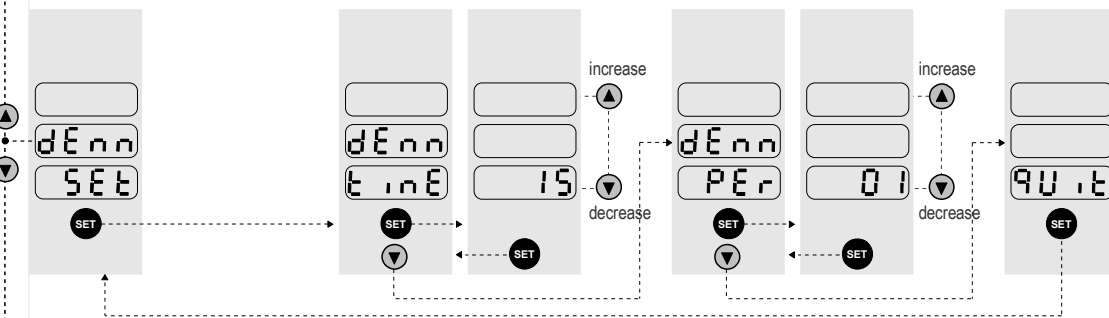
PARAMETERS

PARAMETERS

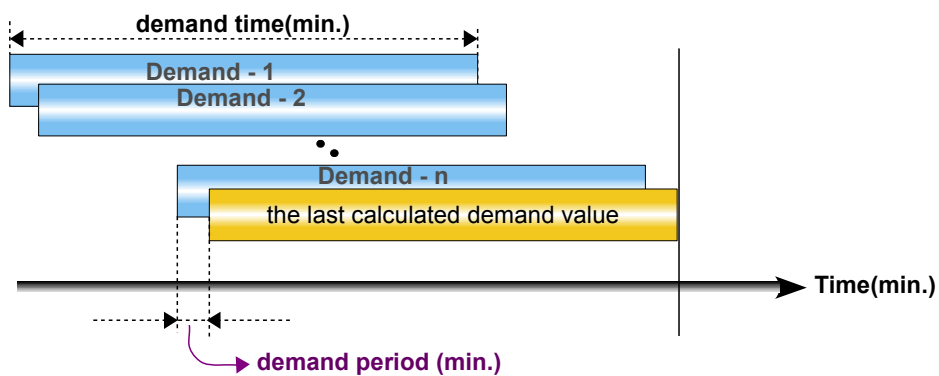
dEnn SET :Demand SET
There are two parameters.
These are shown in the graph below.

dEnn tinE :Demand Time
(demand period +1) (60 minutes)
Refers to the computation time.

dEnn PEr :Demand Period (1minute)(demand time - 1)
Refers to the time between two calculations.



Example: if , demand time= 15 minutes and demand period= 3 minutes ; Every 3 minutes, demand value is re-calculated for the last 15 minutes.



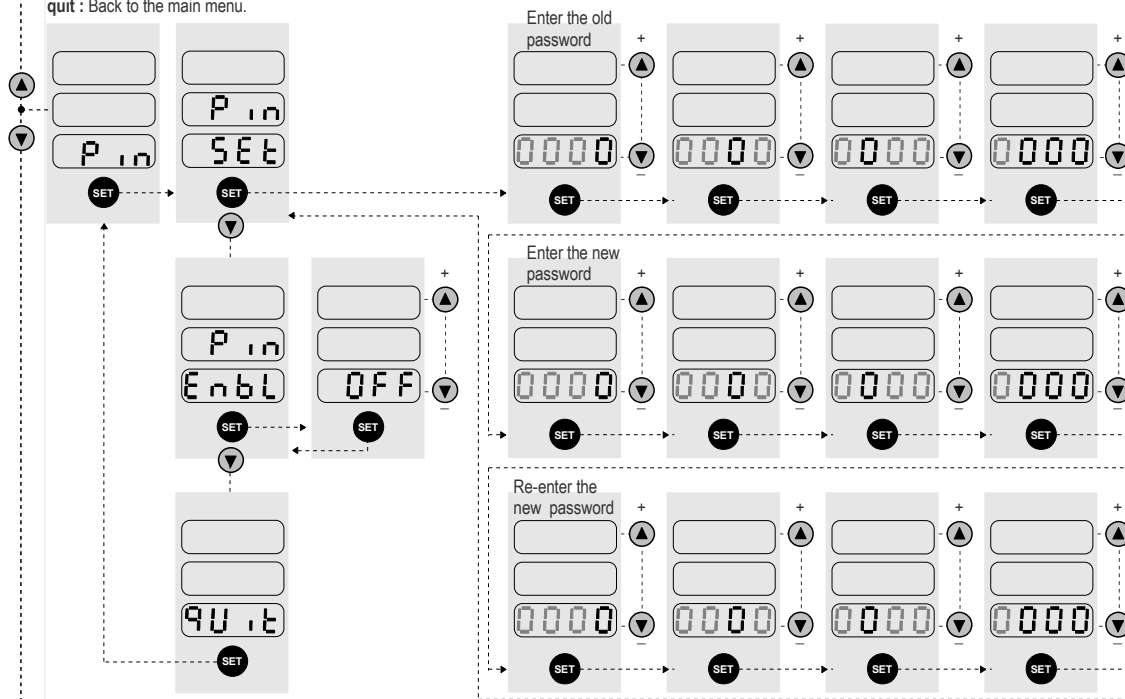
PIN (Password) : In this section, the password can be changed. Also password can be enabled or disabled.

Pin SEt : Default value for the password is "0000". First of all, the old password (PIN OLD) must be entered correctly. If the old password is correct, the user can enter the new password (Pin nEU). You must enter the new password again (Pin rEP). If both passwords are the same, "NEU Pin Suite" message appears on the screen and a new password will be stored.

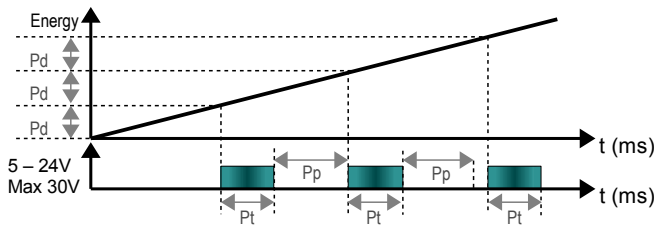
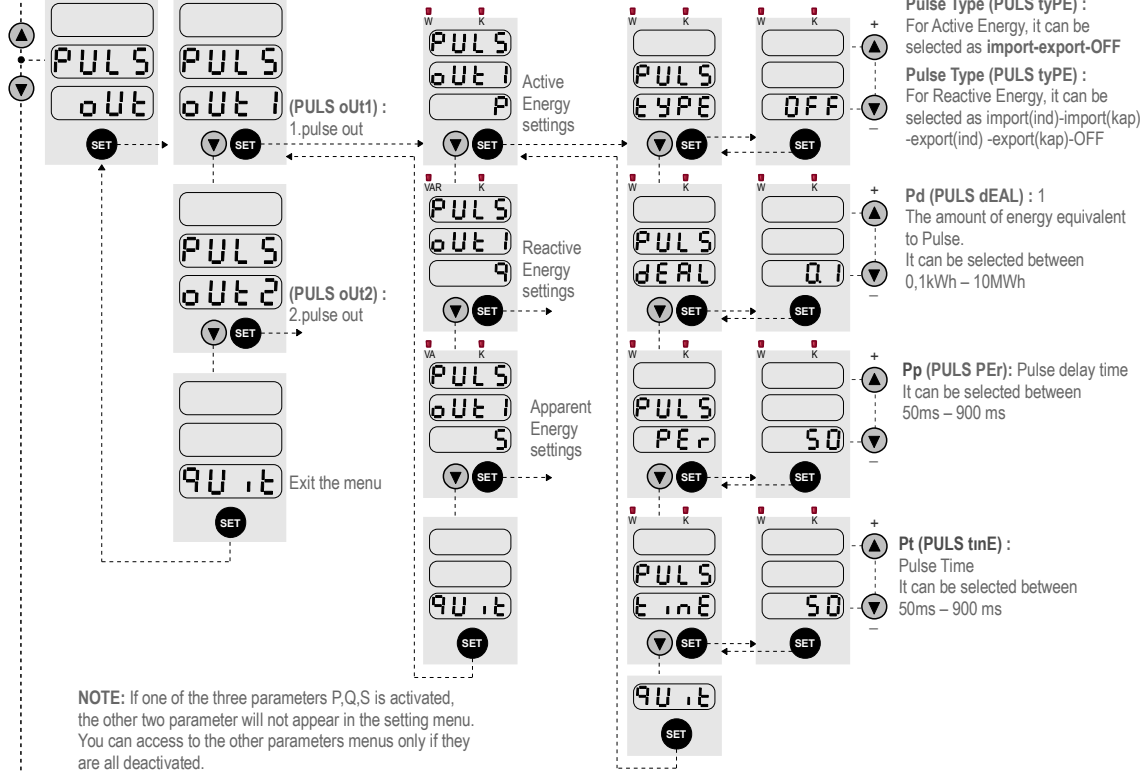
Pin EnbL : Password protection is enabled or disabled. **Pin On** ; password is enabled, **Pin OFF** ; password is disabled.

quit : Back to the main menu.

PARAMETERS

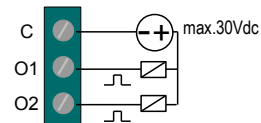
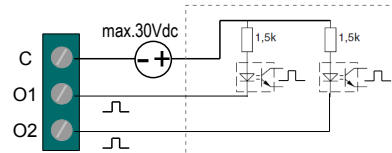


● **PULS oUt** : The device has two digital pulse output. Menus and functions are the same for the two outputs. Outputs can be set differently according to the type of the desired energy. *NOTE: This function is only for ENERGY-02.*



when amount of each energy (Pd) occurs , a pulse is generated from output, during time of (Pt). And then, output stays as 0V, during time of (Pp)

Connection to another device as insulated

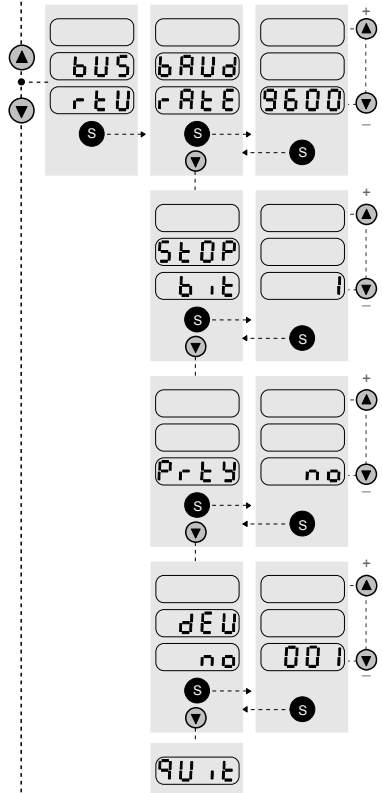


usage with relay

PARAMETERS

● **bUS rtU** : Modbus rtu adjustments.

NOTE: This function is only for ENERGY-02.



Parity : no , even , odd
Cihaz No : 001255

MODBUS – RTU

ADRES 8 BIT	FUNCTION 8 BIT	DATA 8 BIT	CRCL 8 BIT	CRCH 8 BIT	T Delay time for 3,5 character
----------------	-------------------	---------------	---------------	---------------	-----------------------------------

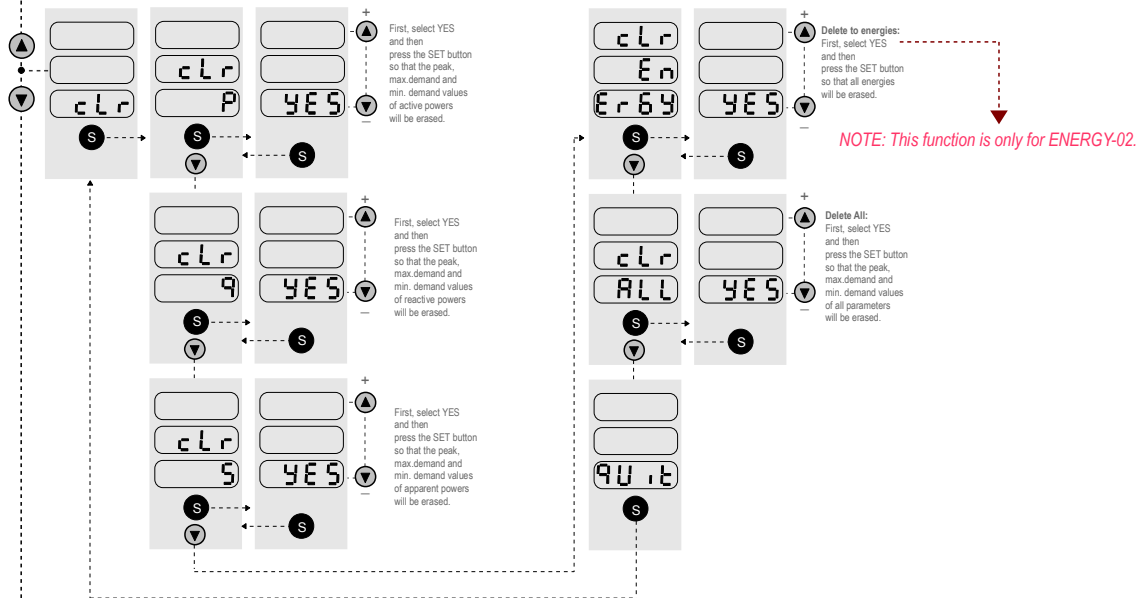
The maximum length of this package is 12 Byte.

MODBUS – RTU Functions

- 03H READING SINGLE REGISTER
- 06H WRITING SINGLE REGISTER
- 10H WRITING MULTIPLE REGISTER

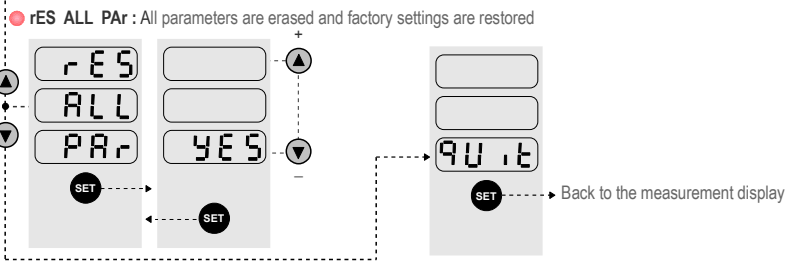
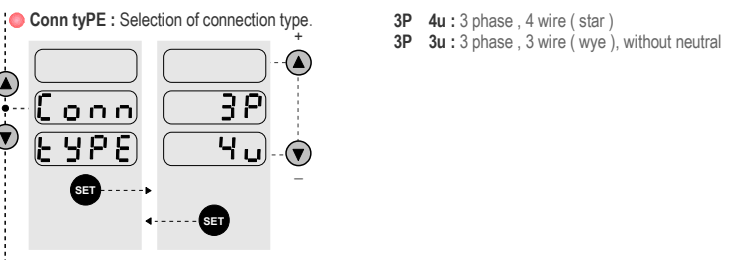
PARAMETERS

● **clR** : Demands, peak values, and accumulated energies can be erased in this section. The parameters which indicated by the LEDs at the top of the device, will be erased.



NOTE: This function is only for ENERGY-02.

PARAMETERS



Installation Instructions

- 1- A space with a dimension of 92mm * 92mm shall be emptied on the panel where the device will be mounted.
 - 2- Before assembly of the device, remove panel fixing apparatuses.
 - 3- Place the device from front into the window opened in the panel as flush.
 - 4- -Fix the device on to the panel by using fixing apparatuses from back part.
- Make the assembly in a manner to assure 50 cms space between the device and the wall to enable good ventilation of the device.

PANEL SPACING DIMENSIONS



Technical Specifications

Operating Voltage (Un) : (Phase-Neutral) 230Vac
 Operating Range : (0,8-1,1) x Un
 Operating Frequency : 50/60 Hz
 Supply Power Consumption : < 6VA
 Power Consumption of Measurement Inputs: < 1VA
 Vin : 1 – 300 Vac (L-N)
 : 2 – 600 Vac (L-L)
 Iin : (as the secondary current of the current transformer)
 : 0,01 - 6 Amp AC
 Measurement Class : CAT III
 Voltage Transformer Ratio : 1 4000
 Current Transformer Ratio : 1 5000 (25000/5A)
 Connection Type : 3P&4W , 3P&3W , ARON
 Demand Time : 1 – 600 min

Display range : 1,0V - 400,0 kV
 : 0,001A 25000 A
 : 0 – 999,9 M (W,VAR,VA)
 : 0 – 999,9 k (W,VAR,VA)
 : 0 – 999.999.999.999 (GWh,GVARh,GVAh)

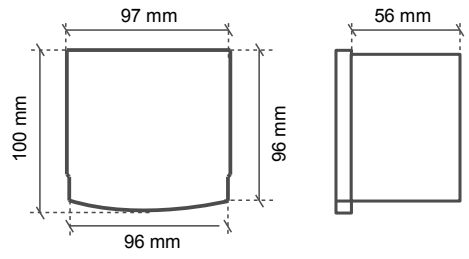
accuracy
 Active Power : 1 class
 Reactive Power : 2 class
 Apparent Power : 1 class

Pulse Outputs (2 pcs)
 Operating Voltage : 5 – 24Vdc max. 30Vdc
 Operating Current : max 50 mA
 Min. Switching Time : 100 ms

RS485

Baud rate : 2400,4800,9600,19200,28800,38400,57600,115200
 Stop Bits : (0.5) , (1) , (1.5) , (2)
 Parity : no , even , odd
 Device No : 1255

Device Protection Class : IP 20
 Terminal protection class : IP 00
 Ambient temperature : - 5 °C + 50 °C
 Installation Type : to panel cover from front
 Dimensions : 96x96x56 mm



NOTE: Operating Voltage (Un): ask price and delivery time for 85-256Vac/dc

Factory Settings

	Current Transformer(Primary) Value	: 5 / 5 A
	Voltage Transformer Ratio	: 1
	Password	: if not changed by user (0000) NOTE 1
	Password use	: Off (disabled)
	Connection Type	: 3P&4W
MODBUS RTU	Port Settings (Baud Rate)	: 9600
	Port Settings (Stop Bits)	: 1
	Port Settings (Parity)	: No
	Port Settings (Device No)	: 1
	Demand Time	: 15 minutes
	Demand Interval	: 3 min
1_Pulse output	Pulse Type for 1.Pulse Output	: OFF
	Pulse Value for 1. Pulse Output (Pd)	: 1 KWh
	Pulse Duration for 1.Pulse Output (Pt)	: 100 ms
	Pulse OFF Time for 1.Pulse output (Pp)	: 200 ms
2_Pulse output	Pulse Type for 2.Pulse Output	: OFF
	Pulse Value for 2. Pulse Output (Pd)	: 1 KVARh
	Pulse Duration for 2.Pulse Output (Pt)	: 100 ms
	Pulse OFF Time for 2.Pulse output (Pp)	: 200 ms

Note 1 :The password is primarily defined as 0000. However the password will not change even in the event that factory values are restored after having amended the password. The latest password entered by the user is valid.

Note 2 :When factory settings are restored, energies are set to zero.

Formulas

Active Power	$P = \frac{1}{N} \sum_{i=0}^N P_i$
--------------	------------------------------------

Reactive Power	$Q = \frac{1}{N} \sum_{i=0}^N Q_i$
----------------	------------------------------------

Apparent Power	$S = \sqrt{P^2 + Q^2}$
----------------	------------------------

Power Factor	$PF = \frac{P}{S}$
--------------	--------------------