**Range of Products;**

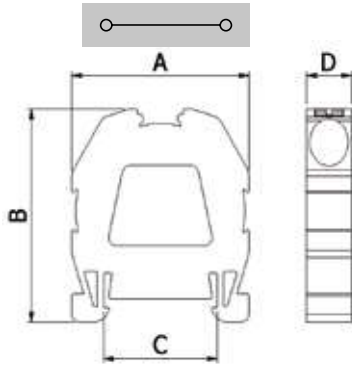
- *MPK Series Push-In connection mini terminal blocks*
- *MPK Series Push-In connection mini earth terminal blocks*
- *MPK Series Push-In connection bridged mini terminal blocks*
- *MPK Series Screwless stopper*
- *MPK Series Stopper & end Bracket (Rail Mountable)*
- *MPK Series Stopper & end Bracket (Ground Mountable)*

# MPK SERIES

## MPK SERIES PUSH-IN CONNECTION MINI TERMINAL BLOCKS



**MPK - 2,5**  
**Closed Type**  
Order No: 1422



Dimensions (mm)	A	B	C	D
	23,0	26,4	15,0	5,9

**MATERIAL**

Body	PA6.6
Bridge	Copper
Spring	Stainless Steel
Temp.	-40 °C, +140 °C
Cable Strip L.	8 mm

DATA	TSE / CE
Voltage	750 V
Current	24 A
Section	2,5 mm <sup>2</sup>
Norm	EN-60947-7-1

**COLOURS**

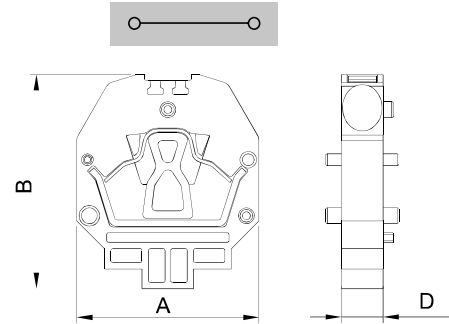
COLOUR	Order No.	Pcs.
GREY	1422	100
CREAM	1423	100
BLACK	1424	100
BLUE	1425	100
BROWN	1426	100
RED	1427	100
YELLOW	1428	100
GREEN	1429	100

**ACCESSORIES**

Stopper	1472
Marking	9540
Rail	4247, 4252, 4102, 4112



**MPK - 2,5**  
**Open Type**  
Order No: 1462



Dimensions (mm)	A	B	D
	23,0	27,0	5,3

**MATERIAL**

Body	PA6.6
Bridge	Copper
Spring	Stainless Steel
Temp.	-40 °C, +140 °C
Cable Strip L.	8 mm

DATA	TSE / CE
Voltage	750 V
Current	24 A
Section	2,5 mm <sup>2</sup>
Norm	EN-60947-7-1

**COLOURS**

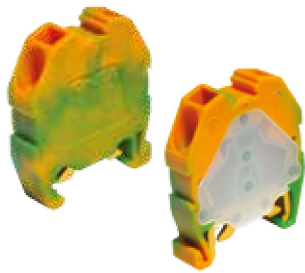
COLOUR	Order No.	Pcs.
GREY	1462	100
CREAM	1463	100
BLACK	1464	100
BLUE	1465	100
BROWN	1466	100
RED	1467	100
YELLOW	1468	100
GREEN	1469	100

**ACCESSORIES**

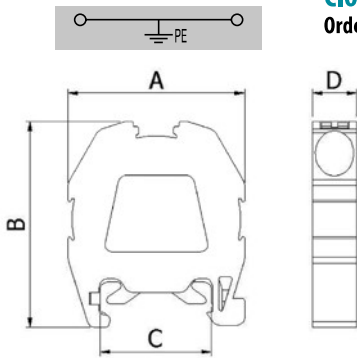
Stopper	1442, 1452
Marking	9540
Rail	4247, 4252, 4102, 4112

MPK SERIES PUSH-IN CONNECTION EARTH MINI TERMINAL BLOCKS

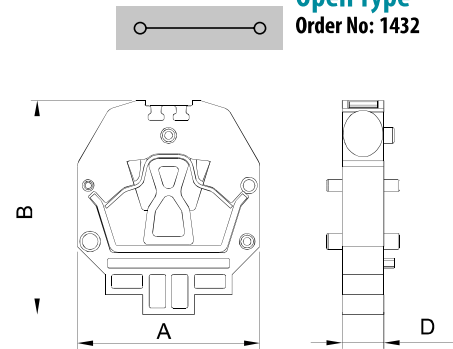
MPK SERIES PUSH-IN CONNECTION EARTH MINI TERMINAL BLOCKS



**MPK - 2,5 (Earth)  
Closed Type**  
Order No: 1470



**MPK - 2,5 (Bridged)  
Open Type**  
Order No: 1432



Dimensions (mm)	A	B	C	D
	23,0	26,5	15,0	5,9

**MATERIAL**

Body	PA6.6
Bridge	Copper
Spring	Stainless Steel
The Foot Which Contact to the Rail	Brass
Temp.	-40 °C, +140 °C
Cable Strip L.	8 mm

DATA	TSE / CE
Voltage	750 V
Section	2,5 mm <sup>2</sup>
Norm	EN-60947-7-1
Pcs	100

**ACCESSORIES**

Stopper	1472
Marking	9540
Rail	4247, 4252, 4102, 4112

Dimensions (mm)	A	B	D
	23,0	27,0	5,3

**MATERIAL**

Body	PA6.6
Bridge	Copper
Spring	Stainless Steel
The Foot Which Contact to the Rail	Brass
Temp.	-40 °C, +140 °C
Cable Strip L.	8 mm

DATA	TSE / CE
Voltage	750 V
Section	2,5 mm <sup>2</sup>
Norm	EN-60947-7-1

**COLOURS**

COLOUR	Order No.	Pcs.
GREY	1432	100
CREAM	1433	100
BLACK	1434	100
BLUE	1435	100
BROWN	1436	100
RED	1437	100
YELLOW	1438	100
GREEN	1439	100

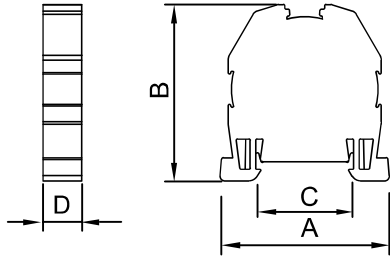
**ACCESSORIES**

Stopper	1442,1452
Marking	9540
Rail	4247, 4252, 4102, 4112

**MPK SERIES SCREWLESS STOPPER**



**MPK Stopper**  
Order No: 1472



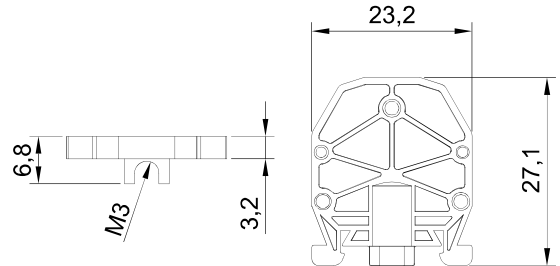
Dimensions (mm)	A	B	C	D
	23	26,5	14,7	5,8
MATERIAL				
Body	PA6.6			
Temp.	-40 °C, +140 °C			
Metal Leg	Steel			
Pcs	100			

ACCESSORIES	
Marking	9540

**MPK SERIES STOPPER & END BRACKET (RAIL MOUNTABLE)**



**MPK Stopper & End Bracket**  
Order No: 1442

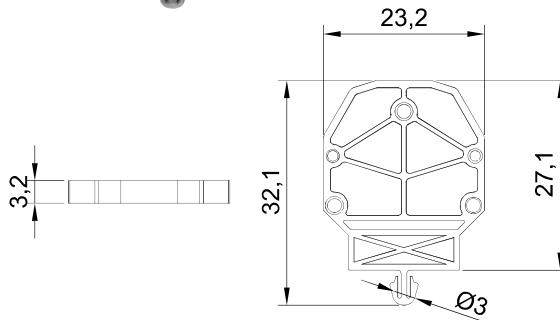


MATERIAL	
Body	PA6.6
Temp.	-40 °C, +140 °C
Pcs	100

**MPK SERIES STOPPER & END BRACKET (GROUND MOUNTABLE)**



**MPK Stopper & End Bracket**  
Order No: 1452



MATERIAL	
Body	PA6.6
Temp.	-40 °C, +140 °C
Pcs	100