

OPK SERIES PUSH-IN CONNECTION RAIL TERMINAL BLOCKS

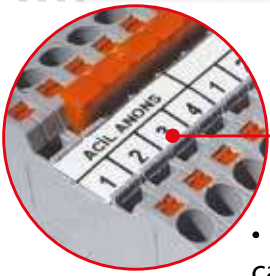
Technical Features ;

- Push-in System.
- Does not require final plate (Both sides are closed), provides cost saving and better isolation.
- Symmetrical (Mountable to rail on both directions)
- Lower cable thrust.
- Time and cost saving.
- Reducing transmission, zero contact by means of orange buttons.
- Springs are stainless steel.
- Opportunity to assemble cable with ferrule of 0,50 mm² to 35 mm² without any hand tool requirement.
- Labelling system appropriate for strap marking.
- Double sided bridging opportunity.
- Isolated comb bridge.

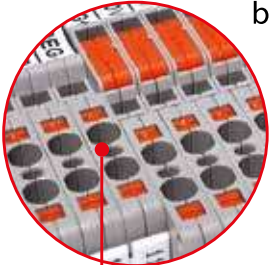
Range of Products;

- OPK Series standard terminal blocks
- OPK Series earth rail terminal blocks
- OPK Series double rail terminal blocks
- OPK Series triple rail terminal blocks
- OPK Series 1 in 2 out terminal blocks
- OPK Series 2 in 2 out terminal blocks
- OPK Series 2 in 2 out knife disconnect terminal blocks
- OPK Series fused terminal blocks
- MRK and OPK Series stoppers
- OPK Series separation plate
- OPK Series Cross connections

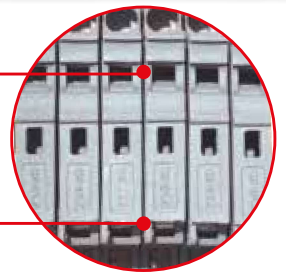
OPK SERIES



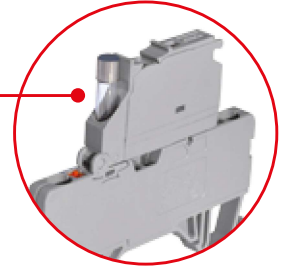
- The roll labelling system can be used in all of 2,5 - 4 - 6 and 10 mm² push-in terminal blocks.



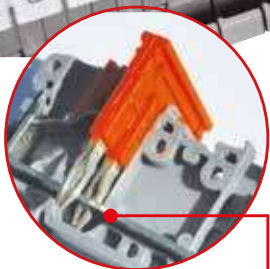
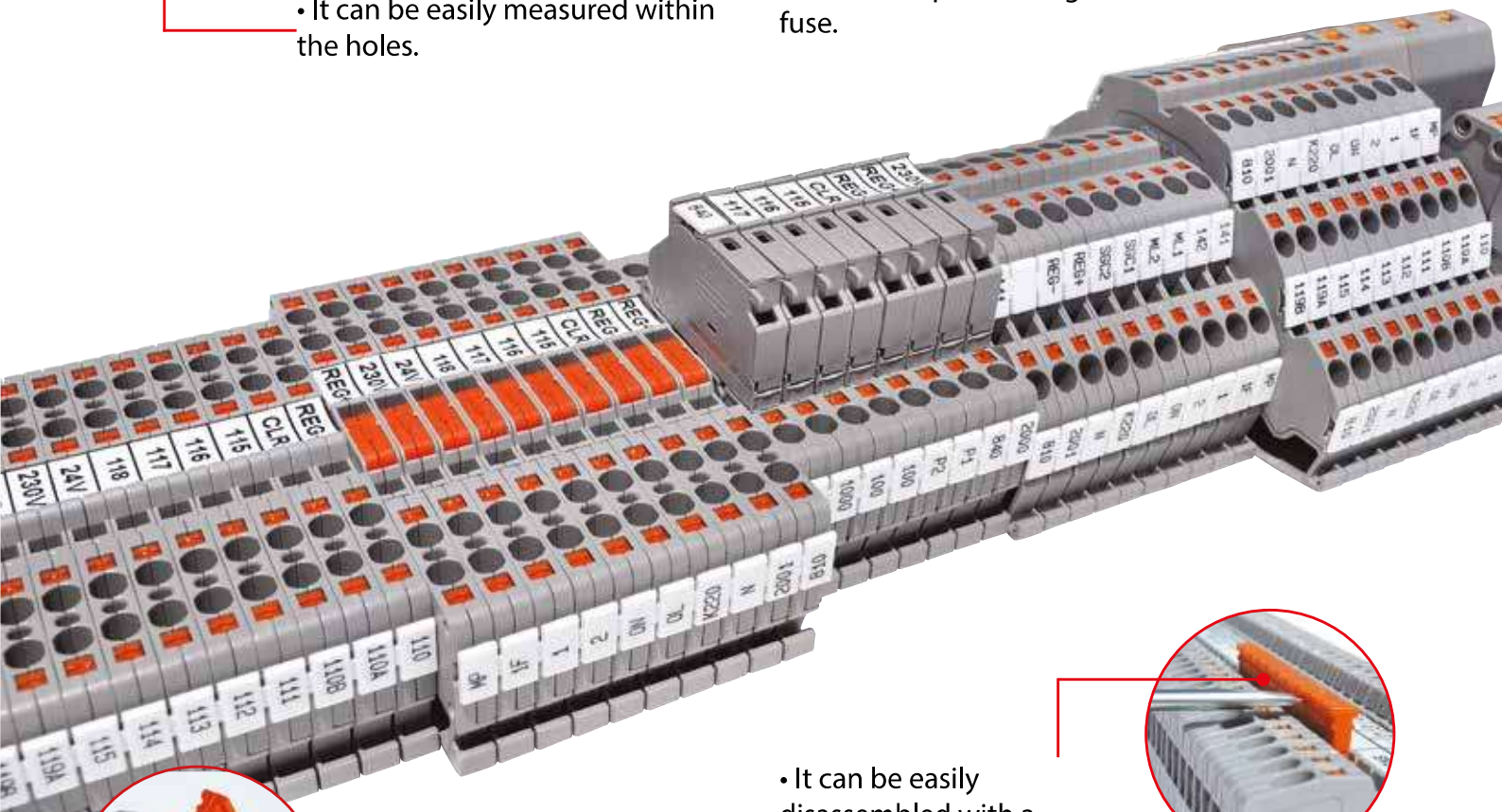
- It can be easily measured within the holes.



- It can be tested by touching the test probes from two different points over the terminal blocks without ejecting the fuse.



- OPK fuse terminal block terminals have a nest in order to keep an extra glass fuse.



- Continuous and safe contact from four points due to the diagonal structure of the pins



- It can be easily disassembled with a screwdriver, by the help of the notch over the bridge.

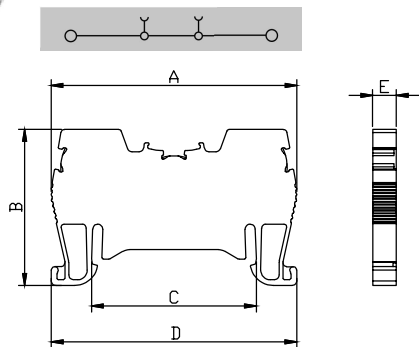


- Due to the channels on the comb bridge, it gives the chance to be cut from the center of the pin gap. This feature is valid with 10 and 20 pin bridges.

OPK SERIES PUSH-IN CONNECTION TERMINAL BLOCKS



OPK 1,5
Order No: 1592



Dimensions (mm)	A	B	C	D	E
	52,0	33,0	34,5	51,9	5,0

MATERIAL

Body	PA6.6
Bridge	Copper
Orange Button	PA6.6
Spring	Stainless Steel
Temp.	-40 °C, +140 °C
Cable Strip L.	9 mm

DATA	TSE / CE
Voltage	750 V
Current	17,5 A
Section	1,5 mm ²
Norm	EN-60947-7-1

COLOURS

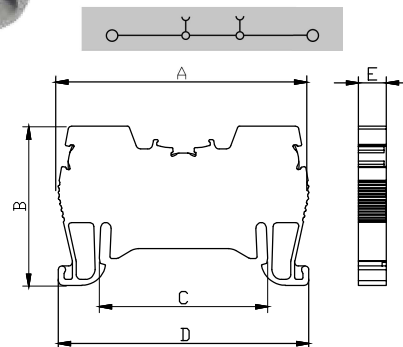
COLOUR	V2		V0	Pcs.
	Order No.	Order No.	Order No.	
GREY	1592	0532	100	100
CREAM	1593	0533	100	100
BLACK	1594	0534	100	100
BLUE	1595	0535	100	100
BROWN	1596	0536	100	100
RED	1597	0537	100	100
YELLOW	1598	0538	100	100
GREEN	1599	0539	100	100

ACCESSORIES

Cross Connection	Order No.		
	Order No.	Section	Pcs.
	1920	1,5 / 2	100
	1921	1,5 / 3	100
	1922	1,5 / 4	100
	1923	1,5 / 10	30
	1924	1,5 / 20	20
Stopper	1202,1222,1212		
Group Sticker	1232		
Marking	9770 / 5443 / 4442 / 9540 / 7301		



OPK 2,5
Order No: 1502



Dimensions (mm)	A	B	C	D	E
	52,0	33,0	34,5	51,9	5,8

MATERIAL

Body	PA6.6
Bridge	Copper
Orange Button	PA6.6
Spring	Stainless Steel
Temp.	-40 °C, +140 °C
Cable Strip L.	9 mm

DATA	TSE / CE	UL
Voltage	750 V	600 V
Current	24 A	20 A
Section	2,5 mm ²	12 AWG
Norm	EN-60947-7-1	UL 1059

COLOURS

COLOUR	V2		V0	Pcs.
	Order No.	Order No.	Order No.	
GREY	1502	0922	100	100
CREAM	1503	0923	100	100
BLACK	1504	0924	100	100
BLUE	1505	0925	100	100
BROWN	1506	0926	100	100
RED	1507	0927	100	100
YELLOW	1508	0928	100	100
GREEN	1509	0929	100	100

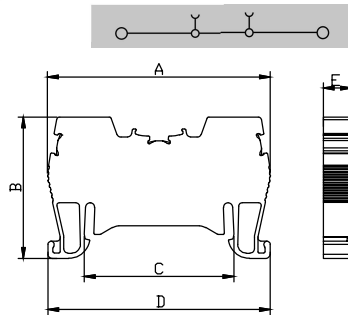
ACCESSORIES

Cross Connection	Order No.			
	Order No.	Section	Pcs.	
	1925	2,5 / 2	100	
	1926	2,5 / 3	100	
	1927	2,5 / 4	75	
	1928	2,5 / 10	30	
	1929	2,5 / 20	20	
	Stopper	1202,1222,1212		
	Group Sticker	1232		
Marking	9770 / 4440 / 4442 / 9540 / 7301			

OPK SERIES PUSH-IN CONNECTION TERMINAL BLOCKS

**OPK 4**

Order No: 1512



Dimensions (mm)	A	B	C	D	E
	52,0	33,0	34,5	51,9	6,6

MATERIAL

Body	PA6.6
Bridge	Copper
Orange Button	PA6.6
Spring	Stainless Steel
Temp.	-40 °C, +140 °C
Cable Strip L.	9 mm

DATA	TSE / CE	UL
Voltage	750 V	600 V
Current	32 A	26 A
Section	4,0 mm ²	10 AWG
Norm	EN-60947-7-1	UL 1059

COLOURS

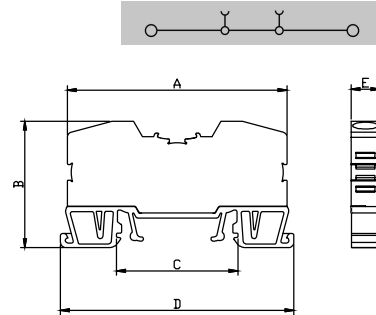
COLOUR	V2	V0	Pcs.
	Order No.	Order No.	
GREY	1512	0932	100
CREAM	1513	0933	100
BLACK	1514	0934	100
BLUE	1515	0935	100
BROWN	1516	0936	100
RED	1517	0937	100
YELLOW	1518	0938	100
GREEN	1519	0939	100

ACCESSORIES

Cross Connection	Order No.	Section	Pcs.
		1930	4 / 2
1931		4 / 3	100
1932		4 / 4	50
1933		4 / 10	30
1934		4 / 20	20
Stopper	1202,1222,1212		
Group Sticker	1232		
Marking	9770 / 4390 / 4442 / 9540 / 7301		

**OPK 6**

Order No: 1522



Dimensions (mm)	A	B	C	D	E
	62,5	36,0	34,5	66,4	8,2

MATERIAL

Body	PA6.6
Bridge	Copper
Orange Button	PA6.6
Spring	Stainless Steel
Temp.	-40 °C, +140 °C
Cable Strip L.	12 mm

DATA	TSE / CE
Voltage	750 V
Current	41 A
Section	6,0 mm ²
Norm	EN-60947-7-1

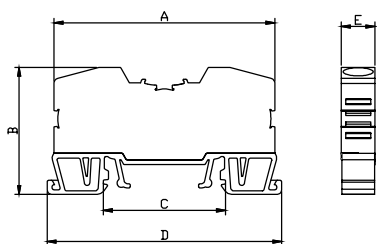
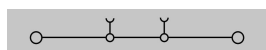
COLOURS

COLOUR	V2	V0	Pcs.
	Order No.	Order No.	
GREY	1522	0942	100
CREAM	1523	0943	100
BLACK	1524	0944	100
BLUE	1525	0945	100
BROWN	1526	0946	100
RED	1527	0947	100
YELLOW	1528	0948	100
GREEN	1529	0949	100

ACCESSORIES

Cross Connection	Order No.	Section	Pcs.
		1945	6 / 2
1946		6 / 3	50
1947		6 / 4	50
1948		6 / 10	15
1949		6 / 20	10
Stopper		1202,1222,1212	
Group Sticker	1232		
Marking	9770 / 2630 / 4442 / 9540 / 7301		

OPK SERIES PUSH-IN CONNECTION TERMINAL BLOCKS

OPK 10
Order No: 1532


Dimensions (mm)	A	B	C	D	E
		62,5	36,0	34,5	66,4

MATERIAL

Body	PA6.6
Bridge	Copper
Orange Button	PA6.6
Spring	Stainless Steel
Temp.	-40 °C, +140 °C
Cable Strip L.	12 mm

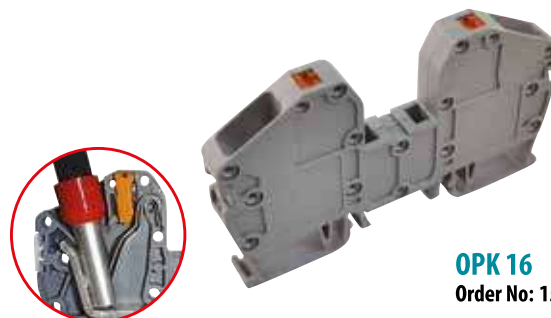
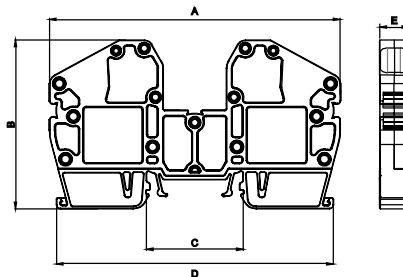
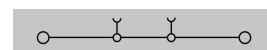
DATA	TSE / CE
Voltage	750 V
Current	57 A
Section	10 mm ²
Norm	EN-60947-7-1

COLOURS

	V2	V0	Pcs.
	Order No.	Order No.	
GREY	1532	0952	100
CREAM	1533	0953	100
BLACK	1534	0954	100
BLUE	1535	0955	100
BROWN	1536	0956	100
RED	1537	0957	100
YELLOW	1538	0958	100
GREEN	1539	0959	100

ACCESSORIES

Cross Connection	Order No.	Section	Pcs.
		1950	10 / 2
1951		10 / 3	50
1952		10 / 4	50
1953		10 / 10	15
1954		10 / 20	10
Stopper	1202,1222,1212		
Group Sticker	1232		
Marking	9770 / 2630 / 4442 / 9540 / 7301		


OPK 16
Order No: 1542


Dimensions (mm)	A	B	C	D	E
		103,0	60,0	34,5	98,0

MATERIAL

Body	PA6.6
Bridge	Copper
Orange Button	PA6.6
Spring	Stainless Steel
Temp.	-40 °C, +140 °C
Cable Strip L.	22 mm

DATA	TSE / CE
Voltage	750 V
Current	76 A
Section	16 mm ²
Norm	EN-60947-7-1

COLOURS

	V2	V0	Pcs.
	Order No.	Order No.	
GREY	1542	0962	30
CREAM	1543	0963	30
BLACK	1544	0964	30
BLUE	1545	0965	30
BROWN	1546	0966	30
RED	1547	0967	30
YELLOW	1548	0968	30
GREEN	1549	0969	30

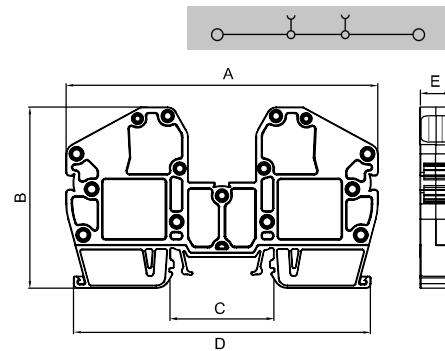
ACCESSORIES

Cross Connection	Order No.	Section	Pcs.
		1955	16 / 2
1956		16 / 3	10
1957		16 / 4	10
1958		16 / 10	10
Stopper		1202,1222,1212	
Group Sticker	1232		
Marking	9770 / 4442 / 9540		

OPK SERIES PUSH-IN CONNECTION TERMINAL BLOCKS



OPK 35
Order No: 1552



Dimensions (mm)	A	B	C	D	E
	103,0	60,0	34,5	98,0	15,2

MATERIAL

Body	PA6.6
Bridge	Copper
Orange Button	PA6.6
Spring	Stainless Steel
Temp.	-40 °C, +140 °C
Cable Strip L.	22 mm

ACCESSORIES

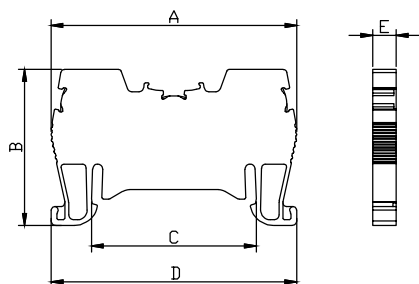
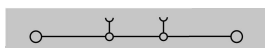
Cross Connection	Order No.	Section	Pcs.
	1959	35 / 2	10
	1960	35 / 3	10
	1961	35 / 4	10
	1962	35 / 10	10
	Stopper	1202,1222,1212	
Group Sticker	1232		
Marking	9770 / 4442 / 9540		

COLOURS

COLOUR	V2	V0	Pcs.
	Order No.	Order No.	
GREY	1552	0972	20
CREAM	1553	0973	20
BLACK	1554	0974	20
BLUE	1555	0975	20
BROWN	1556	0976	20
RED	1557	0977	20
YELLOW	1558	0978	20
GREEN	1559	0979	20

DATA	TSE / CE
Voltage	750 V
Current	125 A
Section	35 mm ²
Norm	EN-60947-7-1

OPK SLIM SERIES PUSH-IN CONNECTION TERMINAL BLOCKS

OPK SLIM 2,5
 Order No: 0572


Dimensions (mm)	A	B	C	D	E
	52,0	33,0	34,5	51,9	5,0

MATERIAL

Body	PA6.6
Bridge	Copper
Orange Button	PA6.6
Spring	Stainless Steel
Temp.	-40 °C, +140 °C
Cable Strip L.	9 mm

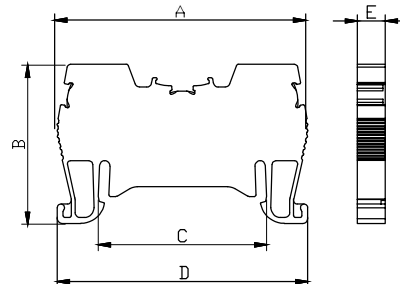
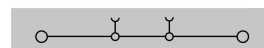
DATA	TSE / CE
Voltage	750 V
Current	24 A
Section	2,5 mm ²
Norm	EN-60947-7-1

COLOURS

COLOUR	V2		Pcs.
	Order No.	Order No.	
GREY	0572	0542	100
CREAM	0573	0543	100
BLACK	0574	0544	100
BLUE	0575	0545	100
BROWN	0576	0546	100
RED	0577	0547	100
YELLOW	0578	0548	100
GREEN	0579	0549	100

ACCESSORIES

Cross Connection	V2		
	Order No.	Section	Pcs.
	1920	1,5 / 2	100
	1921	1,5 / 3	100
	1922	1,5 / 4	100
	1923	1,5 / 10	30
	1924	1,5 / 20	20
Stopper	1202,1222,1212		
Group Sticker	1232		
Marking	9770 / 5443 / 4442 / 9540 / 7301		


OPK SLIM 4
 Order No: 0562


Dimensions (mm)	A	B	C	D	E
	52,0	33,0	34,5	51,9	5,8

MATERIAL

Body	PA6.6
Bridge	Copper
Orange Button	PA6.6
Spring	Stainless Steel
Temp.	-40 °C, +140 °C
Cable Strip L.	9 mm

DATA	TSE / CE
Voltage	750 V
Current	32 A
Section	4,0 mm ²
Norm	EN-60947-7-1

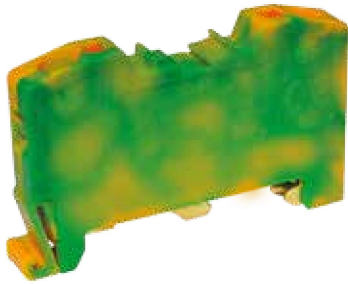
COLOURS

COLOUR	V2		Pcs.
	Order No.	Order No.	
GREY	0562	0552	100
CREAM	0563	0553	100
BLACK	0564	0554	100
BLUE	0565	0555	100
BROWN	0566	0556	100
RED	0567	0557	100
YELLOW	0568	0558	100
GREEN	0569	0559	100

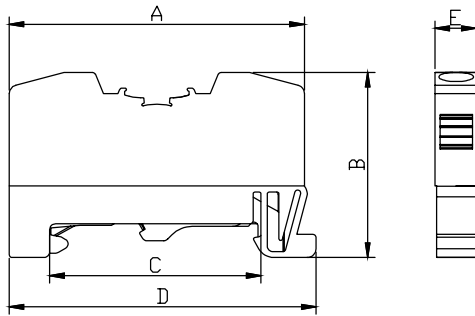
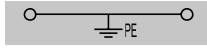
ACCESSORIES

Cross Connection	V2		
	Order No.	Section	Pcs.
	1925	2,5 / 2	100
	1926	2,5 / 3	100
	1927	2,5 / 4	75
	1928	2,5 / 10	30
	1929	2,5 / 20	20
	Stopper	1202,1222,1212	
Group Sticker	1232		
Marking	9770 / 4440 / 4442 / 9540 / 7301		

OPK SERIES PUSH-IN CONNECTION EARTH RAIL TERMINAL BLOCKS



OTK - 4
Order No: 1199



Dimensions (mm)	A	B	C	D	E
		51,0	31,8	34,5	52,6

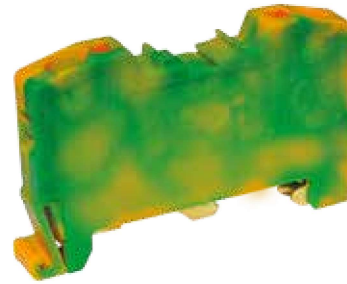
MATERIAL

Body	PA6.6
Bridge	Copper
Orange Button	PA6.6
Spring/ Yay	Stainless Steel
The Foot Which Contact to the Rail	Brass
Temp.	-40 °C, +140 °C
Cable Strip L.	9 mm

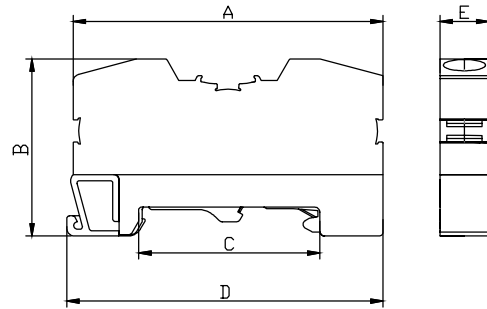
DATA	TSE / CE
Voltage	750 V
Section	4,0 mm ²
Norm	EN-60947-7-2
Pcs	100

ACCESSORIES

Stopper	1202,1222,1212
Group Sticker	1232
Marking	9770 / 4390 / 4442 / 9540 7301



OTK - 10
Order No: 1200



Dimensions (mm)	A	B	C	D	E
		62,5	36,5	34,5	64,5

MATERIAL

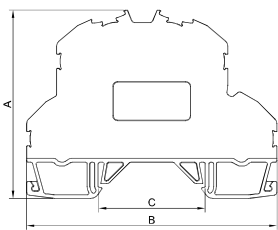
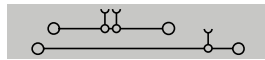
Body	PA6.6
Bridge	Copper
Orange Button	PA6.6
Spring/ Yay	Stainless Steel
The Foot Which Contact to the Rail	Brass
Temp.	-40 °C, +140 °C
Cable Strip L.	12 mm

DATA	TSE / CE
Voltage	750 V
Section	10 mm ²
Norm	EN-60947-7-2
Pcs	100

ACCESSORIES

Stopper	1202,1222,1212
Group Sticker	1232
Marking	9770 / 2630 / 4442 / 9540 7301

OPK SERIES PUSH-IN CONNECTION DOUBLE RAIL TERMINAL BLOCKS

OPK - D 2,5
 Order No: 1782


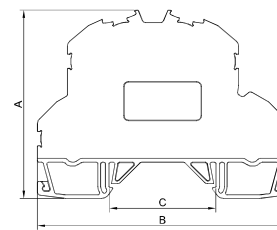
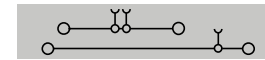
Dimensions (mm)	A	B	C	D
	61,0	81,0	34,5	5,9

MATERIAL	
Body	PA6.6
Bridge	Copper
Orange Button	PA6.6
Spring	Stainless Steel
Temp./	-40 °C, +140 °C
Cable Strip L.	9 mm

DATA	TSE / CE	UL
Voltage	750 V	300 V
Current	24 A	16 A
Section	2,5 mm ²	12 AWG
Norm	EN-60947-7-1	UL 1059

COLOURS		
COLOUR	Order No.	Pcs.
GREY	1782	50
CREAM	1783	50
BLACK	1784	50
BLUE	1785	50
BROWN	1786	50
RED	1787	50
YELLOW	1788	50
GREEN	1789	50

ACCESSORIES			
Cross Connection	Order No	Section	Pcs.
	1925	2,5 / 2	100
	1926	2,5 / 3	100
	1927	2,5 / 4	75
	1928	2,5 / 10	30
	1929	2,5 / 20	20
Stopper	1202,1222,1212		
Group Sticker	1232		
Marking	9770 / 4440 / 4442 / 9540 / 7301		
Bridged	2572		
Diode	2582		


OPK - D 4
 Order No: 1792


Dimensions (mm)	A	B	C	D
	61,0	81,0	34,5	6,7

MATERIAL	
Body	PA6.6
Bridge	Copper
Orange Button	PA6.6
Spring	Stainless Steel
Temp./	-40 °C, +140 °C
Cable Strip L.	9 mm

DATA	TSE / CE	UL
Voltage	750 V	300 V
Current	32 A	22 A
Section	4,0 mm ²	10 AWG
Norm	EN-60947-7-1	UL 1059

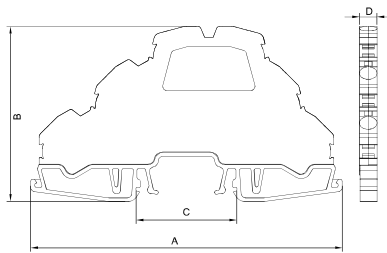
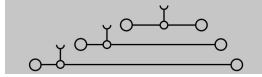
COLOURS		
COLOUR	Order No.	Pcs.
GREY	1792	50
CREAM	1793	50
BLACK	1794	50
BLUE	1795	50
BROWN	1796	50
RED	1797	50
YELLOW	1798	50
GREEN	1799	50

ACCESSORIES			
Cross Connection	Order No	Section	Pcs.
	1930	4 / 2	100
	1931	4 / 3	100
	1932	4 / 4	50
	1933	4 / 10	30
	1934	4 / 20	20
	Stopper	1202,1222,1212	
Group Sticker	1232		
Marking	9770 / 4442 / 9540 / 7301 / 4390		
Bridged	2592		
Diode	2602		

OPK SERIES PUSH-IN CONNECTION TRIPLE RAIL TERMINAL BLOCKS



OPK - 3/2,5
Order No: 1852



Dimensions (mm)	A	B	C	D
	106,0	60,0	34,5	5,9

MATERIAL

Body	PA6.6
Bridge	Copper
Orange Button	PA6.6
Spring	Stainless Steel
Temp.	-40 °C, +140 °C
Cable Strip L.	9 mm

DATA / VERİ	TSE / CE
Voltage	750 V
Current	24 A
Section	2,5 mm ²
Norm	EN-60947-7-1

COLOURS

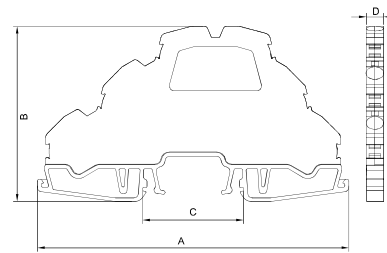
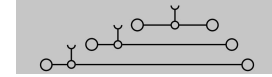
COLOUR	Order No.	Pcs.
GREY	1852	50
CREAM	1853	50
BLACK	1854	50
BLUE	1855	50
BROWN	1856	50
RED	1857	50
YELLOW	1858	50
GREEN	1859	50

ACCESSORIES

Cross Connection	Order No.	Section	Pcs.
	1925	2,5 / 2	100
	1926	2,5 / 3	100
	1927	2,5 / 4	75
	1928	2,5 / 10	30
	1929	2,5 / 20	20
Stopper	1202,1222,1212		
Group Sticker	1232		
Marking	9540		
Bridged	1862		
Earth	1872		



OPK - 3/4
Order No: 1882



Dimensions (mm)	A	B	C	D
	106,0	60,0	34,5	6,7

MATERIAL

Body	PA6.6
Bridge	Copper
Orange Button	PA6.6
Spring	Stainless Steel
Temp.	-40 °C, +140 °C
Cable Strip L.	9 mm

DATA	TSE / CE
Voltage	750 V
Current	32 A
Section	4,0 mm ²
Norm	EN-60947-7-1

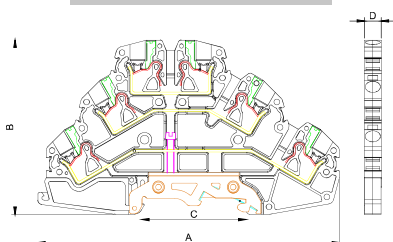
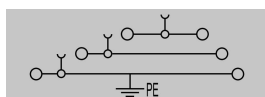
COLOURS

COLOUR	Order No.	Pcs.
GREY	1882	50
CREAM	1883	50
BLACK	1884	50
BLUE	1885	50
BROWN	1886	50
RED	1887	50
YELLOW	1888	50
GREEN	1889	50

ACCESSORIES

Cross Connection	Order No.	Section	Pcs.
	1930	4 / 2	100
	1931	4 / 3	100
	1932	4 / 4	50
	1933	4 / 10	30
	1934	4 / 20	20
Stopper	1202,1222,1212		
Group Sticker	1232		
Marking	9540		
Bridged	1892		
Earth	1902		

OPK SERIES PUSH-IN CONNECTION TRIPLE RAIL TERMINAL BLOCKS

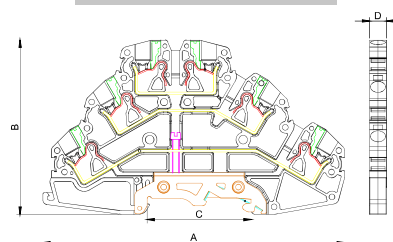
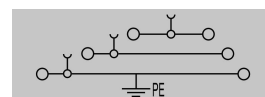
**OPK - 3/2,5
Earth
Order No: 1872**


Dimensions (mm)	A	B	C	D
	106	60,0	34,5	5,9

MATERIAL	
Body	PA6.6
Bridge	Copper
Orange Button	PA6.6
Spring	Stainless Steel
The Foot Which Contact to the Rail	Brass
Temp.	-40 °C, +140 °C
Cable Strip L.	9 mm

DATA	TSE / CE
Voltage	750 V
Current	24 A
Section	2,5 mm ²
Norm	EN-60947-7-1

ACCESSORIES			
Cross Connection	Order No.	Section	Pcs.
	1925	2,5 / 2	100
	1926	2,5 / 3	100
	1927	2,5 / 4	75
	1928	2,5 / 10	30
	1929	2,5 / 20	20
Stopper	1202,1222,1212		
Group Sticker	1232		
Marking	9540		
Bridged	1862		


**OPK - 3/4
Earth
Order No: 1902**


Dimensions (mm)	A	B	C	D
	106	60,0	34,5	6,7

MATERIAL	
Body	PA6.6
Bridge	Copper
Orange Button	PA6.6
Spring	Stainless Steel
The Foot Which Contact to the Rail	Brass
Temp.	-40 °C, +140 °C
Cable Strip L.	9 mm

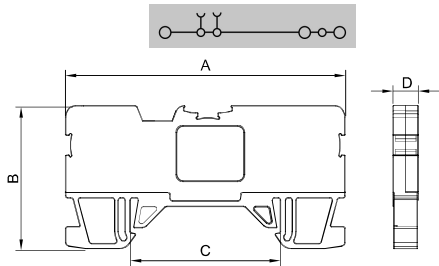
DATA	TSE / CE
Voltage	750 V
Current	32 A
Section	4,0 mm ²
Norm	EN-60947-7-1

ACCESSORIES			
Cross Connection	Order No.	Section	Pcs.
	1930	4 / 2	100
	1931	4 / 3	100
	1932	4 / 4	50
	1933	4 / 10	30
	1934	4 / 20	20
Stopper	1202,1222,1212		
Group Sticker	1232		
Marking	9540		
Bridged	1892		

OPK SERIES PUSH-IN CONNECTION TERMINAL BLOCKS



OPK - 1IN / 2OUT - 2,5
Order No: 1262



Dimensions (mm)	A	B	C	D
	64,8	33,0	34,5	5,9

MATERIAL

Body	PA6.6
Bridge	Copper
Orange Button	PA6.6
Spring	Stainless Steel
Temp.	-40 °C, +140 °C
Cable Strip L.	9 mm

DATA	TSE / CE
Voltage	750 V
Current	24 A
Section	2,5 mm ²
Norm	EN-60947-7-1

COLOURS

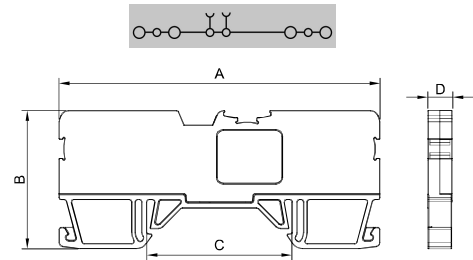
COLOUR	Order No.	Pcs.
GREY	1262	50
CREAM	1263	50
BLACK	1264	50
BLUE	1265	50
BROWN	1266	50
RED	1267	50
YELLOW	1268	50
GREEN	1269	50

ACCESSORIES

Cross Connection	Order No.	Section	Pcs.
	1925	2,5 / 2	100
	1926	2,5 / 3	100
	1927	2,5 / 4	75
	1928	2,5 / 10	30
	1929	2,5 / 20	20
	Stopper	1202,1222,1212	
Group Sticker	1232		
Marking	9770 / 4440 / 4442 / 9540 / 7301		



OPK - 2IN / 2OUT - 2,5
Order No: 1252



Dimensions (mm)	A	B	C	D
	77,3	33,3	34,5	5,9

MATERIAL

Body	PA6.6
Bridge	Copper
Orange Button	PA6.6
Spring	Stainless Steel
Temp.	-40 °C, +140 °C
Cable Strip L.	9 mm

DATA	TSE / CE
Voltage	750 V
Current	24 A
Section	2,5 mm ²
Norm	EN-60947-7-1

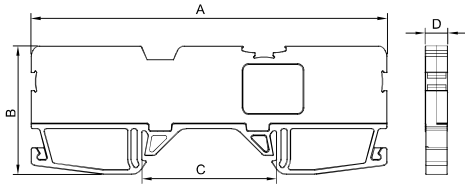
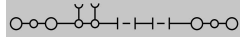
COLOURS

COLOUR	Order No.	Pcs.
GREY	1252	50
CREAM	1253	50
BLACK	1254	50
BLUE	1255	50
BROWN	1256	50
RED	1257	50
YELLOW	1258	50
GREEN	1259	50

ACCESSORIES

Cross Connection	Order No.	Section	Pcs.
	1925	2,5 / 2	100
	1926	2,5 / 3	100
	1927	2,5 / 4	75
	1928	2,5 / 10	30
	1929	2,5 / 20	20
	Stopper	1202,1222,1212	
Group Sticker	1232		
Marking	9770 / 4440 / 4442 / 9540 / 7301		

OPK SERIES PUSH-IN TEST TERMINAL BLOCKS

OPK - 2IN/2OUT - 2,5
 Order No: 1242


Dimensions (mm)	A	B	C	D
	91,8	33,0	34,5	5,9

MATERIAL

Body	PA6.6
Bridge	Copper
Orange Button	PA6.6
Spring	Stainless Steel
Temp.	-40 °C, +140 °C
Cable Strip L.	9 mm

DATA	TSE / CE
Voltage	750 V
Current	24 A
Section	2,5 mm ²
Norm	EN-60947-7-1

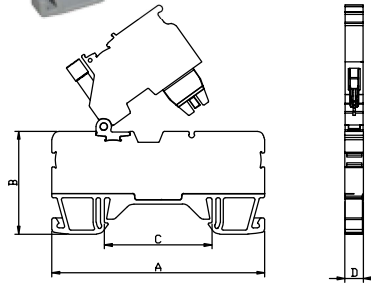
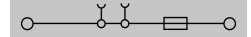
COLOURS

COLOUR	Order No.	Pcs.
GREY	1242	50
CREAM	1243	50
BLACK	1244	50
BLUE	1245	50
BROWN	1246	50
RED	1247	50
YELLOW	1248	50
GREEN	1249	50

ACCESSORIES

Cross Connection	Order No	Section	Pcs
	1925	2,5 / 2	100
	1926	2,5 / 3	100
	1927	2,5 / 4	75
	1928	2,5 / 10	30
	1929	2,5 / 20	20
Stopper	1202,1222,1212		
Group Sticker	1232		
Marking	9770 / 4440 / 4442 / 9540 / 7301		

OPK SERIES PUSH-IN FUSED TERMINAL BLOCKS

OPK - S 2,5
 Order No: 2482


Dimensions (mm)	A	B	C	D
	68,3	33,0	34,5	5,9

MATERIAL

Body	PA6.6
Bridge	Copper
Orange Button	PA6.6
Spring	Stainless Steel
Temp.	-40 °C, +140 °C
Cable Strip L.	9 mm

DATA	TSE / CE
Voltage	750 V
Current	6,3 A
Section	2,5 mm ²
Norm	EN-60947-7-3

COLOURS

COLOUR	Order No.	Pcs.
GREY	2482	50
CREAM	2483	50
BLACK	2484	50
BLUE	2485	50
BROWN	2486	50
RED	2487	50
YELLOW	2488	50
GREEN	2489	50

VOLTAGE

Volt	Order No.
Empty	2482
Bar	2492
12 V AC/DC LED	2502
24 V AC/DC LED	2512
48 V AC/DC LED	2532
110 V AC/DC LED	2552
220 V AC/DC LED	2562

ACCESSORIES

Cross Connection	Order No	Section	Pcs
	1925	2,5 / 2	100
	1926	2,5 / 3	100
	1927	2,5 / 4	75
	1928	2,5 / 10	30
	1929	2,5 / 20	20
Stopper	1202,1222,1212		
Group Sticker	1232		
Marking	9770 / 4440 / 4442 / 9540		
Glass Fuse	WE-FS-52		100
	5x20 mm Glass Fuse (0.2.....10A Please inform amp.)		

PUSH-IN TERMINAL BLOCK FOR PCB CONNECTION

EN 60947-7-1 ✓

V2/V0 INCOMBUSTIBILITY STANDARD ✓

HALOGEN FREE ✓

EASY ASSEMBLING ✓

MONOLITHIC BODY ✓

MODULAR DESIGN ✓

Onka®
Choice of Professionals

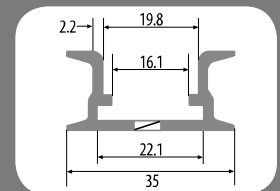
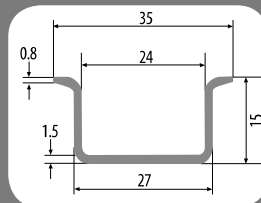
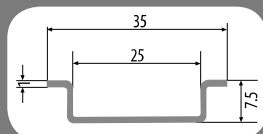
PUSH IN



With PUSH-IN Terminal Block For PCB connection you will have the following properties;

- Multi pin plug-in connection solutions
- Fast assembly/disassembly for your modular panel, machine, elevator applications
- Easy connection with marking options
- Flexible solutions with modular structure and adjustable pole number

MOUNTABLE RAIL TYPES



PCP SERIES COLOUR CODES

Colour Options:

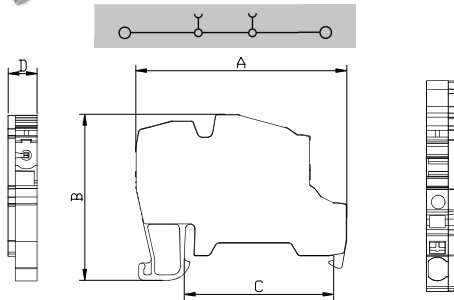
ONKA-100 1 the last digit of this code refers to product color. To choose product color you can use the color codes next.

GREY	2	BLUE	5	YELLOW	8
CREAM	3	BROWN	6	GREEN	9
BLACK	4	RED	7		

PUSH-IN TERMINAL BLOCK FOR PCB CONNECTION



PCP 2,5
Order No: 0382



Dimensions (mm)	A	B	C	D
	49,0	38,5	34,5	6,7

MATERIAL

Body	PA6.6
Bridge	Copper
Orange Button	PA6.6
Spring	Stainless Steel
Temp.	-40 °C, +140 °C
Cable Strip L.	10 mm

DATA	TSE / CE
Voltage	500 V
Current	17,5 A
Section	2,5 mm ²
Norm	EN-60947-7-1

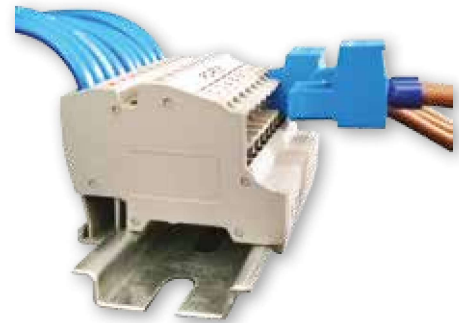
COLOURS

COLOUR	V2		V0	Pcs.
	Order No.	Order No.	Order No.	
GREY	0382	0322	0322	100
CREAM	0383	0323	0323	100
BLACK	0384	0324	0324	100
BLUE	0385	0325	0325	100
BROWN	0386	0326	0326	100
RED	0387	0327	0327	100
YELLOW	0388	0328	0328	100
GREEN	0389	0329	0329	100

ACCESSORIES

Cross Connection	Order No.	Section	Pcs.
	1925	2,5 / 2	100
	1926	2,5 / 3	100
	1927	2,5 / 4	75
	1928	2,5 / 10	30
	1929	2,5 / 20	20
Stopper	1202,1222,1212		
Group Sticker	1232		
Marking	9770 / 4440 / 4442 / 9540 / 7301		
PCB-N End Plate	0352		
PCB-N End Plate (V0)	0312		

SOCKET TERMINAL FEMALE 5,08 MM



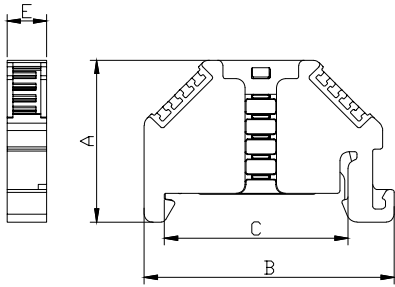
SBDK 5,08

PIN NUMBER	Blue Order No.	Green Order No.	Pcs. Box
2	10.202	11.202	200
3	10.203	11.203	100
4	10.204	11.204	100
5	10.205	11.205	100
6	10.206	11.206	100
7	10.207	11.207	100
8	10.208	11.208	100
9	10.209	11.209	100
10	10.210	11.210	50
11	10.211	11.211	50
12	10.212	11.212	50

MRK AND OPK SERIES SCREWLESS STOPPER



Screwless Stopper
Order No: 1202

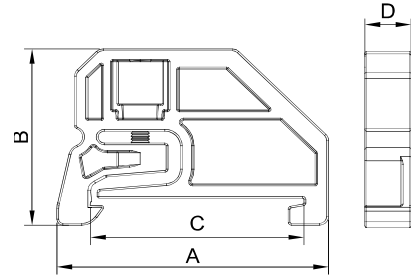


Dimensions (mm)	A	B	C	D
	30,7	47,4	34,5	7,5
MATERIAL				
Body	PA			
Metal Leg	Stainless Steel			
Temp.	-40 °C, +140 °C			
Pcs	100			
ACCESSORIES				
Marking	9770 / 4440 / 4442 / 9540 5443 / 4390 / 2630			

MRK AND OPK SERIES MINI STOPPER



Mini Stopper
Order No: 1222

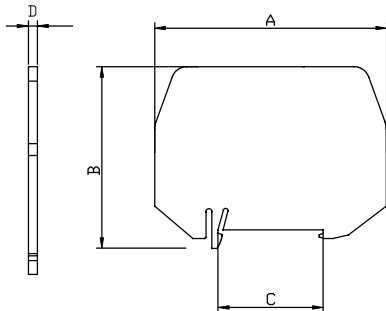


Dimensions (mm)	A	B	C	D
	43,0	30,0	34,5	7,5
MATERIAL				
Body	PA			
Screw	Steel			
Temp.	-40 °C, +140 °C			
Pcs	100			
ACCESSORIES				
Marking	9770 / 4440 / 4442 / 9540 5443 / 4390			

MRK SERIES SEPARATION PLATE



Order No: 0999

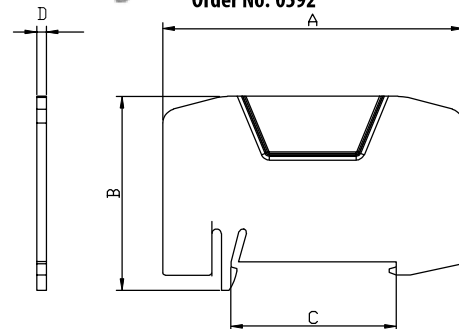


Dimensions (mm)	A	B	C	D
	76,0	60,0	34,5	0,7
MATERIAL				
Body	PET (FF)			
Temp.	-40 °C, +140 °C			
Pcs	25			

OPK SERIES SEPARATION PLATE



Order No: 0592

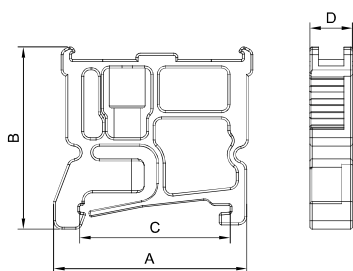


Dimensions (mm)	A	B	C	D
	63,5	41,3	34,5	2,0
MATERIAL				
Body	PA			
Temp.	-40 °C, +140 °C			
Pcs	25			

MRK AND OPK SERIES BIG STOPPER



Big Stopper
Order No: 1212



Dimensions (mm)	A	B	C	D
	44,6	43,5	34,5	9,8

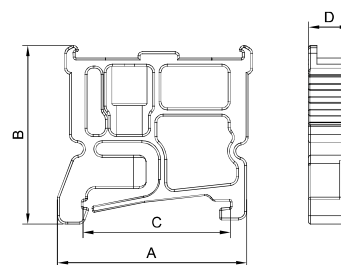
MATERIAL	
Body	PA
Screw	Steel
Temp.	-40 °C, +140 °C
Pcs	100

ACCESSORIES	
Marking	9770 / 4440 / 4442 / 9540 5443 / 4390

MRK AND OPK SERIES STOPPER WITH GROUP STICKER



Stopper With Group Sticker
Order No: 1232



Dimensions (mm)	A	B	C	D
	44,6	43,5	34,5	9,8

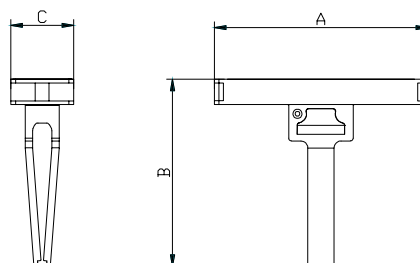
MATERIAL	
Body	PA
Screw	Steel
Temp.	-40 °C, +140 °C
Pcs	100

ACCESSORIES	
Marking	9770 / 4440 / 4442 / 9540 5443 / 4390

GROUP MARKER



Group Marker
Order No: 1482



Dimensions (mm)	A	B	C
	46,2	40,6	13,6

MATERIAL	
Body	PC
Temp.	-40 °C, +140 °C
Pcs	100

OPK SERIES CROSS CONNECTIONS

MATERIAL	
Isolation	PA 6.6
Body	Brass
Covering	Tin

Note: All 1,5 mm², 2,5 mm² and 4 mm² cross connections can be both used for MRK and OPK Series.

For the Slim Series, please check the relevant product accessories section.

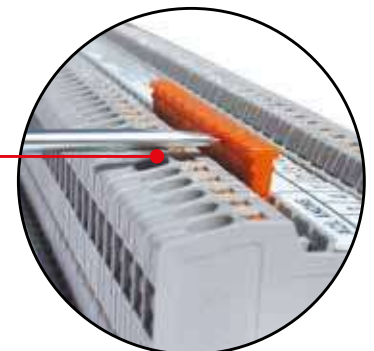
COLOUR	CODE	TYPE	BOX
Orange	ONKA-1920	1.5 x 2	100
Orange	ONKA-1921	1.5 x 3	100
Orange	ONKA-1922	1.5 x 4	100
Orange	ONKA-1923	1.5 x 10	30
Orange	ONKA-1924	1.5 x 20	20
Orange	ONKA-1925	2.5 x 2	100
Orange	ONKA-1926	2.5 x 3	100
Orange	ONKA-1927	2.5 x 4	75
Orange	ONKA-1928	2.5 x 10	30
Orange	ONKA-1929	2.5 x 20	20
Orange	ONKA-1930	4 x 2	100
Orange	ONKA-1931	4 x 3	100
Orange	ONKA-1932	4 x 4	50
Orange	ONKA-1933	4 x 10	30
Orange	ONKA-1934	4 x 20	20
Red	ONKA-1945	6 x 2	100
Red	ONKA-1946	6 x 3	50
Red	ONKA-1947	6 x 4	50
Red	ONKA-1948	6 x 10	15
Red	ONKA-1949	6 x 20	10
Red	ONKA-1950	10 x 2	100
Red	ONKA-1951	10 x 3	50
Red	ONKA-1952	10 x 4	50
Red	ONKA-1953	10 x 10	15
Red	ONKA-1954	10 x 20	10
Red	ONKA-1955	16 x 2	10
Red	ONKA-1956	16 x 3	10
Red	ONKA-1957	16 x 4	10
Red	ONKA-1958	16 x 10	10
Red	ONKA-1959	35 x 2	10
Red	ONKA-1960	35 x 3	10
Red	ONKA-1961	35 x 4	10
Red	ONKA-1962	35 x 10	10



- Monolithic insulated body provides high durability to the conductor busbar

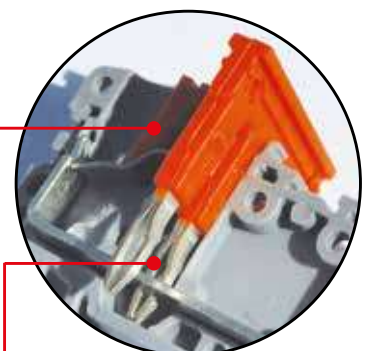


- Due to the channels on the comb bridge, it gives the chance to be cut from the center of the pin gap. This feature is valid with 10 and 20 pin bridges.



- It can be easily disassembled with a screwdriver, by the help of the notch over the bridge.

- A secure connection with the bridle part



- Continuous and safe contact from four points due to the diagonal structure of the pins