

# STAR DELTA RELAY

DTR-SD

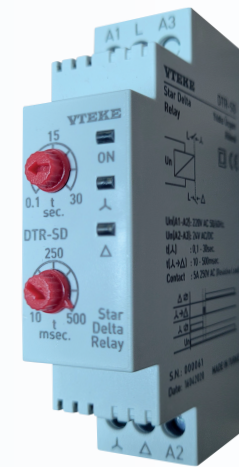
**VTEKE**<sup>®</sup>

www.vteke.com.tr

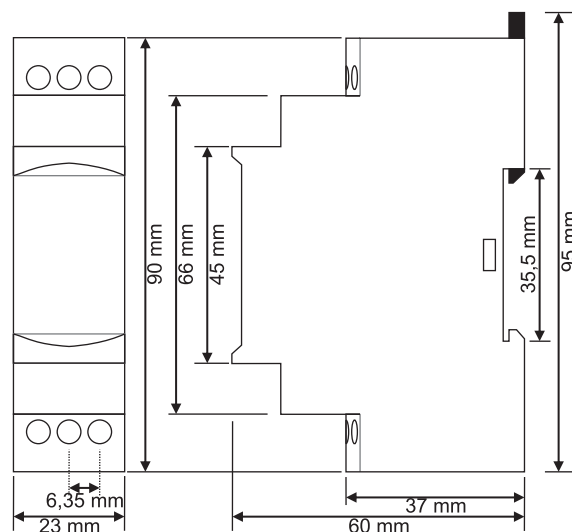
TECHNICAL SPECIFICATIONS

PARAMETER	VALUE
Operating Voltage	150V – 260V AC
Operating Frequency	50 / 60 Hz
Operating Power	<6VA
Operating Temperature	-20°C.....55°C
Weight	<110Gr
Working time (star)	0.1 seconds – 30 SEC
Waiting time (off)	1ms – 500ms
Display	3 LEDS
Contact	1NO+1NO, 5A/250VAC
Protection Class	IP20
Connection Type	Terminal Connection
Cable Diameter	Max2.5mm <sup>2</sup>
Mounting	DIN Rail Mounting
Working Altitude	<2000 meter

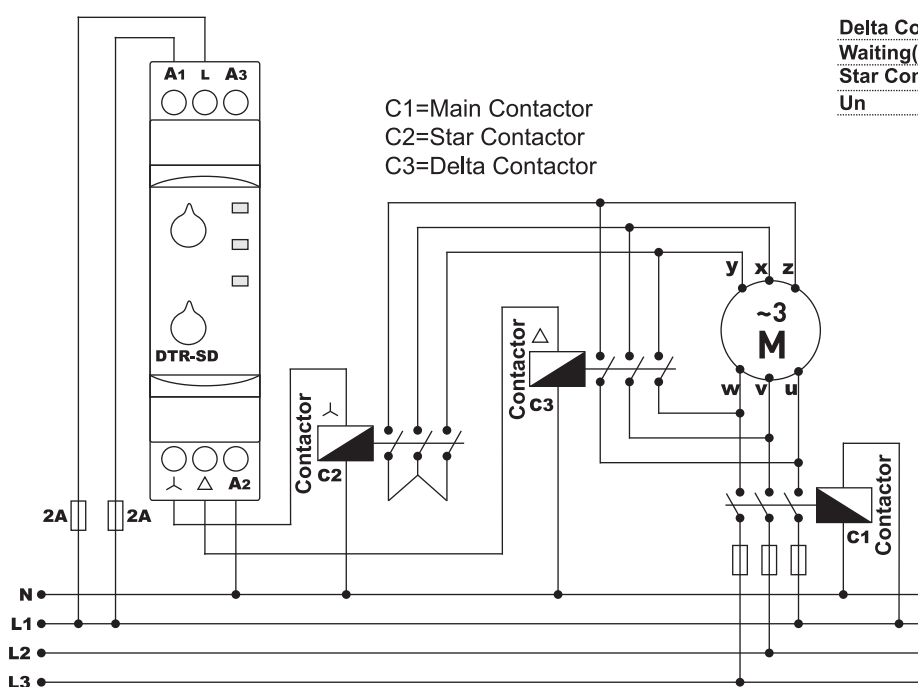
PHOTO



DIMENSIONS



CONNECTION DIAGRAM



Delta Contact	
Waiting(off)	toff
Star Contact	ton
Un	