



HKP020025R3A

HKP015015R1A

HKP040060R8A

HKP020025ZKA

HKP040060ZSA

HKP020025ZEA

# Cable Carriers



HKP015015R1A



HKP020025R3A



HKP040060R5A



HKP015015ZDA



HKP015015ZEA

Code	Material	Inner Height	Inner Width	Bending Radius	Type	Box/Pcs
HKP015015R1A	Plastic	15 mm	15 mm	25 mm	Open	1 x 1 m
HKP020025R3A	Plastic	20 mm	25 mm	40 mm	Open	1 x 1 m
HKP040060R5A	Plastic	40 mm	60 mm	100 mm	Open	1 x 1 m

Code	Material	Inner Height	Inner Width	Features	Box/Pcs
HKP015015ZDA	Plastic	15 mm	15 mm	Internal Connection	10
HKP015015ZEA	Plastic	15 mm	15 mm	External Connection	10
HKP015015ZKA	Plastic	15 mm	15 mm	Upper	100
HKP020025ZDA	Plastic	20 mm	25 mm	Internal Connection	10
HKP020025ZEA	Plastic	20 mm	25 mm	External Connection	10
HKP020025ZKA	Plastic	20 mm	25 mm	Upper	100
HKP040060ZDA	Plastic	40 mm	60 mm	Internal Connection	1
HKP040060ZEA	Plastic	40 mm	60 mm	External Connection	1
HKP040060ZKA	Plastic	40 mm	60 mm	Upper	20
HKP040060Z5A	Plastic	40 mm	-	Seperator	20



HKP015015ZKA



HKP020025ZDA



HKP020025ZEA

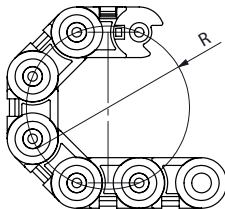


HKP020025ZKA



HKP040060Z5A

## BENDING RADIUS



R1	25 mm	R6	125 mm
R2	35 mm	R7	150 mm
R3	40 mm	R8	200 mm
R4	75 mm	R9	250 mm
R5	100 mm		

## B Series Control Units Selection Table

Series	Contact Block Combination			Button Type	Colour	Pad Printing
<b>B</b>	<b>1</b>	<b>K</b>	<b>2</b>	<b>D</b>	<b>K</b>	<b>1</b>
<b>B</b> B Series Ø 22 mm Control Units	<b>Contact Block Type</b> <b>1</b> Start - For Button <b>2</b> Stop - For Button	<b>Contact Block Type</b> <b>0</b> Empty <b>1</b> Start - For Button <b>2</b> Stop - For Button		<b>Spring Type</b> <b>D</b> Flush <b>F</b> Stay Put <b>H</b> Extended <b>M</b> Mushroom Ø 40 mm <b>Key Operated Type</b> <b>AA20</b> 2 Position, Stay Put (0-1) ↕ <b>AA21</b> 2 Position, Spring Return (0-1) ↕ <b>AA30</b> 3 Position, Stay Put (II-0-I) ↕ <b>AA31</b> 3 Position, Single Spring Return (II-0-I) ↕ <b>AA32</b> 3 Position, Double Spring Return (II-0-I) ↕ <b>AC20</b> 2 Position, Stay Put (II-0-I) ↕ <b>AC30</b> 3 Position, Stay Put (II-0-I) ↕ ⚠ Taking key out position <b>Selector Type</b> <b>S20</b> 2 Position, Stay Put (0-1), 60° ↙ <b>S21</b> 2 Position, Spring Return (0-1), 60° ↗ <b>S30</b> 3 Position, Stay Put (II-0-I), 60° ↘ <b>S31</b> 3 Position, Single Spring Return (II-0-I), 60° ↘ <b>S32</b> 3 Position, Double Spring Return (II-0-I), 60° ↘ <b>SL20</b> 2 Position, Illuminated Stay Put (0-1) ↙ <b>SL21</b> 2 Position, Illuminated Spring Return (0-1) ↗ <b>SL30</b> 3 Position, Illuminated Stay Pu (II-0-I) ↘ <b>SL31</b> 3 Position, Illuminated Single Spring Return (II-0-I) ↘ <b>SL32</b> 3 Position, Illuminated Double Spring Return (II-0-I) ↘ <b>T20</b> 2 Position, Stay Put (0-1), 90° ↘ <b>T21</b> 2 Position, Spring Return (0-1), 90° ↘ <b>R20</b> 2 Position, Stay Put (0-1), 45° ↙ <b>R21</b> 2 Position, Spring Return (0-1), 45° ↗ <b>C</b> Handle Switch <b>Emergency Stop Type</b> <b>E30</b> Ø 30 mm, Turn to Release <b>E</b> Ø 40 mm, Turn to Release <b>EE</b> Ø 40 mm, With Label, Turn to Release <b>E60</b> Ø 60 mm, Turn to Release <b>EG</b> Ø 40 mm With Position Curser Turn to Release <b>Double Type</b> <b>K20</b> Flush <b>K21</b> Flush, Single Extender <b>K22</b> Flush, Double Extender <b>B20</b> Big Double Flush <b>B30</b> Triple Signle Extended Stop <b>X</b> Pilots	<b>Colour</b> <b>B</b> White <b>K</b> Red <b>M</b> Blue <b>S</b> Yellow <b>Y</b> Green <b>H</b> Black Mat	<b>0</b> 0 Printed <b>10</b> I-0 Printed <b>1</b> I Printed <b>2</b> II Printed <b>12</b> I-II Printed <b>L</b> LIGHT Printed <b>OD</b> OK Vertical Printed <b>OY</b> OK Horizontal Printed <b>OK</b> OK Special Printed <b>OO</b> OK Special Printed <b>S</b> Siren Sign <b>Z</b> Bell Sign
	<b>Illumination Block Type</b> <b>O</b> Empty <b>B</b> 100-230 V AC/DC With White LED <b>K</b> 100-230 V AC/DC With Red LED <b>M</b> 100-230 V AC/DC With Blue LED <b>S</b> 100-230 V AC/DC With Yellow LED <b>Y</b> 100-230 V AC/DC With Green LED <b>5</b> 12-30 V AC/DC With White LED <b>6</b> 12-30 V AC/DC With Red LED <b>7</b> 12-30 V AC/DC With Blue LED <b>8</b> 12-30 V AC/DC With Yellow LED <b>9</b> 12-30 V AC/DC With Green LED <b>Q</b> 48 V AC/DC With White LED <b>X</b> 48 V AC/DC With Red LED <b>V</b> 48 V AC/DC With Blue LED <b>W</b> 48 V AC/DC With Yellow LED <b>Z</b> 48 V AC/DC With Green LED <b>C</b> 110 V AC/DC With White LED <b>D</b> 110 V AC/DC With Red LED <b>E</b> 110 V AC/DC With Blue LED <b>F</b> 110 V AC/DC With Yellow LED <b>G</b> 110 V AC/DC With Green LED <b>3*</b> Illumination Block Suitable for Ba9S Bulbs					

\*Only for B Series

**Example:** B1K2DK → B series, start, stop, 100 - 230V AC, With Red LED, red flush type control unit has been selected.

## C Series Control Units Selection Table

Series	Contact Block Combination	Button Type	Colour	Pad Printing
<b>CM</b>	<b>1 K 2</b>	<b>D</b>	<b>K</b>	<b>1</b>

<b>CP</b>	CP Series Plastic Ø 22 mm Control Units
<b>CM</b>	CM Series Metal Ø 22 mm Control Units

Spring Type	Colour
<b>D</b> Flush	<b>B</b> White
<b>F</b> Stay Put	<b>K</b> Red
<b>M</b> Mushroom Ø 40 mm	<b>M</b> Blue
<b>H</b> Extended	<b>S</b> Yellow
	<b>Y</b> Green
	<b>H</b> Black Mat

Key Operated Type Buttons	Selector Type
<b>AA20</b> 2 Position, Stay Put (0-I) ↕	<b>S20</b> 2 Position, Stay Put (0-I), 60° ↕
<b>AA21</b> 2 Position, Spring Return (0-I) ↕↗	<b>S21</b> 2 Position, Spring Return (0-I), 60° ↗
<b>AA30</b> 3 Position, Stay Put (II-0-I) ↕	<b>S30</b> 3 Position, Stay Put (II-0-I), 60° ↕
<b>AA31</b> 3 Position, Single Spring Return (II-0-I) ↕↗	<b>S31</b> 3 Position, Single Spring Return (II-0-I), 60° ↗
<b>AA32</b> 3 Position, Double Spring Return (II-0-I) ↕↗↘	<b>S32</b> 3 Position, Double Spring Return (II-0-I), 60° ↗↘
<b>AC20</b> 2 Position, Stay Put (II-0-I) ↕	
<b>AC30</b> 3 Position, Stay Put (II-0-I) ↕	
Ω Taking key out position	

Joystick	Emergency Stop Type (Only CP Plastic Series)
<b>DJ20</b> 2 Position, Stay Put	<b>E30</b> Ø 30 mm, Turn to Release*
<b>DJ21</b> 2 Position, Spring Return	<b>EK30</b> Ø 30 mm, Short, Turn to Release*
<b>DJ40</b> 4 Position, Stay Put	<b>EA30</b> Ø 30 mm, Key Operated, Turn to Release*
<b>DJ41</b> 4 Position, Spring Return	<b>ES30</b> Ø 30 mm, With Signal, Turn to Release*
	<b>ECN30</b> Ø 30 mm, Pull to Release*
	<b>ECS30</b> Ø 30 mm, With Signal, Pull to Release*
	<b>E</b> Ø 40 mm, Turn to Release
	<b>EC</b> Ø 40 mm, Pull to Release
	<b>EE</b> Ø 40 mm, Turn to Release, With Label
	<b>EP</b> Ø 40 mm, With Window, Pull to Release
	* Snap Locked

Double Head Buttons
<b>K20</b> Flush
<b>K21</b> Single Extended
<b>X</b> Pilots

Pad Printing
<b>0</b> 0 Printed
<b>10</b> I-0 Printed
<b>1</b> I Printed
<b>2</b> II Printed
<b>12</b> I-II Printed
<b>L</b> LIGHT Printed
<b>OD</b> OK Vertical Printed
<b>OY</b> OK Horizontal Printed
<b>OK</b> OK Special Printed
<b>OO</b> OK Special Printed
<b>S</b> Siren Sign
<b>Z</b> Bell Sign

0	1	2	3	4	5	6	7	8	9
Empty	Start For Button	Stop For Button	Tandem Start - Start	Tandem Start - Stop	Tandem Stop - Stop	Start - Start Vertical	Start - Stop Vertical	Stop - Stop Vertical	Start - Stop in Single Contact

Illumination Block Type
<b>0</b> Empty
<b>B</b> 100-230 V AC/DC With White LED
<b>K</b> 100-230 V AC/DC With Red LED
<b>M</b> 100-230 V AC/DC With Blue LED
<b>S</b> 100-230 V AC/DC With Yellow LED
<b>Y</b> 100-230 V AC/DC With Green LED
<b>5</b> 12-30 V AC/DC With White LED
<b>6</b> 12-30 V AC/DC With Red LED
<b>7</b> 12-30 V AC/DC With Blue LED
<b>8</b> 12-30 V AC/DC With Yellow LED
<b>9</b> 12-30 V AC/DC With Green LED
<b>Q</b> 48 V AC/DC With White LED
<b>X</b> 48 V AC/DC With Red LED
<b>V</b> 48 V AC/DC With Blue LED
<b>W</b> 48 V AC/DC With Yellow LED
<b>Z</b> 48 V AC/DC With Green LED
<b>C</b> 110 V AC/DC With White LED
<b>D</b> 110 V AC/DC With Red LED
<b>E</b> 110 V AC/DC With Blue LED
<b>F</b> 110 V AC/DC With Yellow LED
<b>G</b> 110 V AC/DC With Green LED
<b>N</b> 220V DC With White LED
<b>O</b> 220V DC With Red LED
<b>P</b> 220V DC With Blue LED
<b>R</b> 220V DC With Yellow LED
<b>T</b> 220V DC With Green LED

**Example:** CM1K2DK → C Series, Metal, start, stop, 100 - 230V AC, with red LED, red flush type control unit has been selected.

## D Series Control Units Selection Table

Series	Contact Block Combination			Button Shape	Button Type	Colour
<b>D</b>	<b>1</b>	<b>6</b>	<b>2</b>	<b>D</b>	<b>D</b>	<b>K</b>
<b>Series</b> <b>D</b> D Series Ø 16 mm Control Units	<b>Button Shape</b> <b>0</b> Empty <b>1</b> Start For Button <b>2</b> Stop For Button			<b>Button Type</b> <b>D</b> Flush <b>M30</b> Mushroom Ø 30 mm	<b>Colour</b> <b>K</b>	
<b>Contact Block Type</b> <b>0</b> Empty <b>1</b> Start For Button <b>2</b> Stop For Button	<b>Contact Block Type</b> <b>D</b> Rectangle <b>K</b> Square <b>Y</b> Round			<b>Selector Type</b> <b>S20</b> 2 Position Stay Put (0-I) 60° ↓ <b>S21</b> 2 Position Spring Return (0-I) 60° ↕ <b>S30</b> 3 Position Stay Put (II-0-I) 60° ↓ <b>S31</b> 3 Position Single Spring Return (II-0-I) 60° ↕ <b>S32</b> 3 Position Double Spring Return (II-0-I) 60° ↕		
<b>Illumination Block Type</b> <b>0</b> Empty <b>5</b> 12 - 24V AC/DC With White LED <b>6</b> 12 - 24V AC/DC With Red LED <b>7</b> 12 - 24V AC/DC With Blue LED <b>8</b> 12 - 24V AC/DC With Yellow LED <b>9</b> 12 - 24V AC/DC With Green LED				<b>Emergency Stop Type</b> <b>E30</b> Ø 30mm Turn to Release		
				<b>Pilots</b> <b>X</b> Pilots		
				<b>B</b> White <b>K</b> Red <b>M</b> Blue <b>S</b> Yellow <b>Y</b> Green <b>H</b> Black Mat		

**Example:** D162DDK→D Series, start,stop,12 - 24V AC/DC, With Red LED, Red Rectangle flush type control unit has been selected.

## MB Series Monoblock Ø22 mm Control Units Selection Table

Series	Contact Combination			Button Type	Colour	Pad Printing
<b>MB</b>	<b>1</b>	<b>0</b>	<b>2</b>	<b>D</b>	<b>K</b>	<b>1</b>

**Series**

**MB** Series Monoblock Ø 22mm Control Units

**Contact Block Type**

**1** Start For Button

**2** Stop For Button

**Contact Block Type**

**1** Start For Button

**2** Stop For Button

**Illumination Block Type**

**0** Empty

**Button Type**

**Spring Type**

- D** Flush
- F** Stay Put
- H** Extended
- M** Mushroom Ø 40 mm

**Selector Type**

<b>S20</b>	2 Position	Stay Put	(0-I)	60°	✓
<b>S21</b>	2 Position	Spring Return	(0-I)	60°	↗
<b>S30</b>	3 Position	Stay Put	(II-0-I)	60°	✓
<b>S31</b>	3 Position	Single Spring Return	(II-0-I)	60°	↘
<b>S32</b>	3 Position	Double Spring Return	(II-0-I)	60°	↕

**Emergency Stop Type**

- E** Ø 40mm Turn to Release
- EE** Ø 40mm With Label Turn to Release

**Pilots**

- X** Pilots

**Colour**

- B** White
- K** Red
- M** Blue
- S** Yellow
- Y** Green
- H** Black

**Pad Printing**

<b>0</b>	0	Printed
<b>10</b>	I-0	Printed
<b>1</b>	I	Printed
<b>2</b>	II	Printed
<b>12</b>	I-II	Printed
<b>L</b>	LIGHT	Printed
<b>OD</b>	OK	Vertical Printed
<b>OY</b>	OK	Horizontal Printed
<b>OK</b>	OK	Special Printed
<b>OO</b>	OK	Special Printed
<b>S</b>	Siren Sign	
<b>Z</b>	Bell Sign	

**Example:** MB102DK → MB Series, start, stop, Red flush type control unit has been selected.

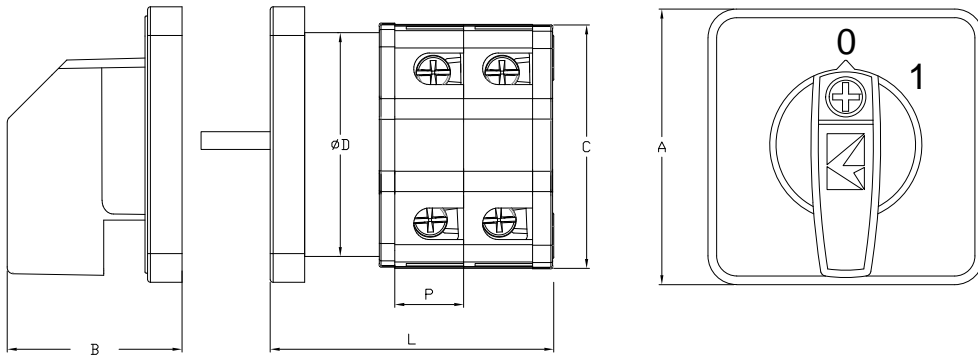
## Limit Switches Selection Table

Series	Housing Type	Contact Mode	Contact Type	End Unit Type	Action Unit	End Unit Material	Type No	Reset
<b>L</b>	<b>1</b>	<b>K1</b>	<b>3</b>	<b>M</b>	<b>I</b>	<b>P</b>	<b>211</b>	<b>R</b>

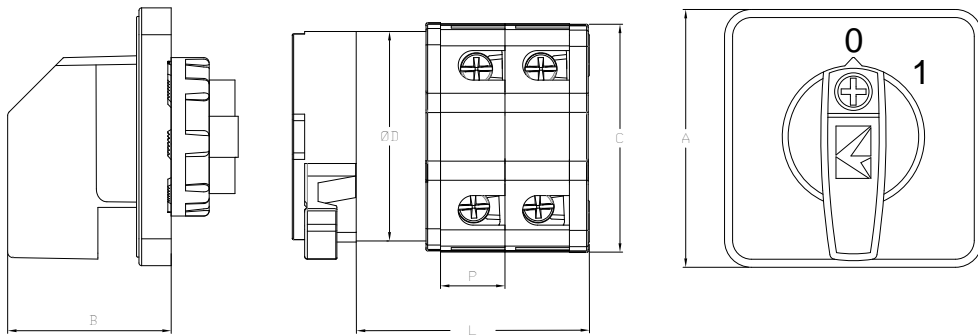
<p><b>L</b> Limit Switches</p>	<p><b>1</b> Series</p> <p><b>2</b> Series</p> <p><b>3</b> Series</p> <p><b>4</b> Series</p> <p><b>5</b> Series</p> <p><b>51</b> Series</p> <p><b>52</b> Series</p> <p><b>53</b> Series</p> <p><b>54</b> Series</p> <p><b>61</b> Series</p> <p><b>66</b> Series</p> <p><b>67</b> Series</p>	<p><b>K1</b> Snap Action Overlap</p> <p><b>K2</b> Slow Action Overlap</p> <p><b>K3</b> Slow Action Overlap</p>	<p><b>1</b> Start-Start (NO+NO)</p> <p><b>2</b> Stop-Stop (NC+NC)</p> <p><b>3</b> Stop-Start (NC+NO)</p> <p><b>4</b> Start-Stop (NO+NC)</p> <p><b>5</b> Double Stop-Start (2NC+NO)</p> <p><b>6</b> Double Start - Double Stop 2 (NC+NO)</p> <p><b>7</b> Double Start-Stop (2NO+NC)</p> <p><b>8</b> Double Start-Double Stop 2 (NO+NC)</p> <p><b>9</b> Stop-Start Overlapped</p>	<p><b>M</b> Roller</p> <p><b>P</b> Plunger</p> <p><b>S</b> Spiral</p> <p><b>F</b> Flexible Rod</p> <p><b>R</b> Rigid Rod</p> <p><b>L</b> Hinge</p> <p><b>H</b> Pull Wire</p> <p><b>B</b> Rot Point</p> <p><b>CPDE</b> Emergency</p>	<p><b>I</b> Angular Action. Single Direction</p> <p><b>E</b> Angular Action. Double Direction</p> <p><b>O</b> Angular Action. Multiple Direction</p> <p><b>U</b> Linear Action</p>	<p><b>P</b> Plastic</p> <p><b>M</b> Metal</p> <p><b>L</b> Rubber</p> <p><b>F</b> Fiber</p>	<p><b>111</b></p> <p><b>121</b></p> <p><b>122</b></p> <p><b>123</b></p> <p><b>124</b></p> <p><b>211</b></p> <p><b>311</b></p> <p><b>321</b></p> <p><b>323</b></p> <p><b>324</b></p> <p><b>331</b></p> <p><b>332</b></p> <p><b>411</b></p> <p><b>412</b></p> <p><b>511</b></p> <p><b>621</b></p> <p><b>622</b></p>	<p><b>Standard</b></p> <p><b>R</b> Reset</p> <p><b>A</b> Adjustable Lever</p> <p><b>RA</b> Adjustable Lever With Reset</p> <p><b>T</b> Opposite Mounted Lever</p> <p><b>Y</b> Lever with Soft Spring</p> <p><b>3</b> 3 Metre Cable</p>
--------------------------------	--	--	---	---	--	--	---	--

## Standard



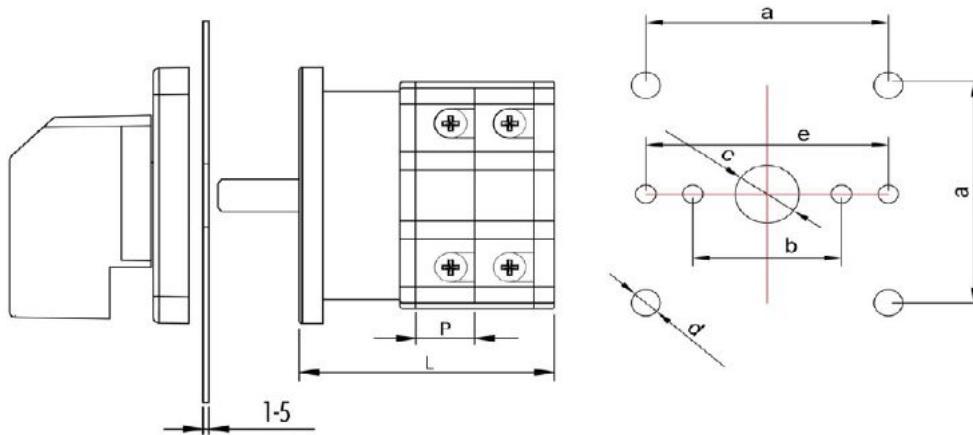
	A	B	C	D
PSA10	48	30,5	42,5	27
PSA16	48	30,5	42,5	27
PSA20	48	30,5	42,5	27
PSA25	48	30,5	42,5	27
PSA32	64	38	55	55
PSA40	64	38	55	55
PSA50	64	38	55	55
PSA63	64	38	55	55
PSA80	85	43	75	75
PSA120	95	43	85	85

## Quick Installation



	A	B	C	D
PSA10	48	31	42,5	27
PSA16	48	31	42,5	27
PSA20	48	31	42,5	27
PSA25	48	31	42,5	27
PSA32	64	40	55	55
PSA40	64	40	55	55
PSA50	64	40	55	55
PSA63	64	40	55	55
PSA80	85	45	75	75
PSA120	95	45	85	85

## Dimensions



	P	L							
		1	2	3	4	5	6	7	8
PSA10	10	33,2	43,2	53,2	63,2	73,2	83,2	93,2	103,2
PSA16	10	33,2	43,2	53,2	63,2	73,2	83,2	93,2	103,2
PSA20	10	33,2	43,2	53,2	63,2	73,2	83,2	93,2	103,2
PSA25	12	35,2	47,2	59,2	71,2	83,2	95,2	107,2	119,2
PSA32	13	39,2	52,2	65,2	78,2	91,2	104,2	117,2	130,2
PSA40	15	41,2	56,2	71,2	86,2	101,2	116,2	131,2	146,2
PSA50	17,5	43,7	61,2	78,7	96,2	113,7	131,2	148,7	166,2
PSA63	21	47,2	68,2	89,2	110,2	131,2	152,2	173,2	194,2
PSA80	26	63	89	115	141	167	193	219	245
PSA120	30	63	93	123	153	183	213	243	273

	A	B	E	C	D
PSA10	36	30		9,5	4,3
PSA16	36	30		9,5	4,3
PSA20	36	30		9,5	4,3
PSA25	36	30		9,5	4,3
PSA32	48	30	50	10	4,3
PSA40	48	30	50	10	4,3
PSA50	48	30	50	10	4,3
PSA63	48	30	50	10	4,3
PSA80	68	38	50	13	5,2
PSA120	68	38	50	13	5,2



## Cam Switches Selection Table

Series	Terminal Type	Amps	Type	Pole	Angle	Label	Option
<b>PS</b>	<b>A</b>	<b>010</b>	<b>AK</b>	<b>1</b>	<b>3</b>	<b>1</b>	<b>S</b>

<b>PS</b> Cam Switches	<b>A</b> Screw <b>B</b> Terminal <b>C</b> Spring Clamp	<b>010</b> 10 Amp <b>016</b> 16 Amp <b>020</b> 20 Amp <b>025</b> 25 Amp <b>032</b> 32 Amp <b>040</b> 40 Amp <b>050</b> 50 Amp <b>063</b> 63 Amp <b>080</b> 80 Amp <b>120</b> 120 Amp <b>160</b> 160 Amp <b>200</b> 200 Amp	<b>AK</b> On-Off <b>KD</b> Changeover <b>KS</b> Step <b>KT</b> Multi Step <b>MS</b> Motor Control <b>CD</b> Double Speed Switch <b>OK</b> Measuring switch (Voltmeter-Ampermeter) <b>Z*</b> Special Cam Switch	<b>For AK KT MS CD and KD Switches</b> <b>1</b> 1 Pole <b>2</b> 2 Pole <b>3</b> 3 Pole <b>4</b> 4 Pole  <b>For KS and KT Switches</b> <b>2</b> 2 Step <b>3</b> 3 Step <b>4</b> 4 Step <b>5</b> 5 Step <b>6</b> 6 Step <b>7</b> 7 Step <b>8</b> 8 Step <b>9</b> 9 Step  <b>For Z Switches</b> <b> </b> No	<b>1</b> 30° Angle <b>2</b> 45° Angle <b>3</b> 60° Angle <b>4</b> 90° Angle <b>5</b> 90° Angle (Spring Return)	<b>S</b> 48X48 Normal <b>E</b> 48x48 Emergency Yellow Red <b>B</b> 64x64 Normal <b>F</b> 64x64 Emergency <b>AQ</b> Key Operated Quick Installation <b>K</b> Lockable Handle <b>G</b> 48x48 Emergency Grey-Black <b>Q</b> Quick Installation 48X48 Normal <b>P</b> Quick Installation 48x48 Emergency Yellow-Red	<b>1</b> 0 1 <b>2</b> 0 1 2 <b>3</b> 1 2 <b>4</b> 1 0 2  <b>Step Switches</b> <b>2</b> 0 1 2 <b>3</b> 0 1 2 3 <b>4</b> 0 1 2 3 4 <b>5</b> 0 1 2 3 4 5 <b>6</b> 0 1 2 3 4 5 6 <b>7</b> 0 1 2 3 4 5 6 7 <b>8</b> 0 1 2 3 4 5 6 7 8 <b>9</b> 0 1 2 3 4 5 6 7 8 9  <b>Motor Control Switches</b> <b>4</b> 1 0 2 <b>5</b> 0 Y U  <b>Measuring Cam Switches</b> <b>1</b> 0 R-N S-N T-N <b>2</b> 0 R-S S-T R-T <b>6</b> 0 1 2 3 <b>4</b> R-T S-T R-S 0 R-N S-N T-N  <b>Special Rotary Cam Switches</b> <b> </b> Special Label
------------------------	--	---	---	---	--	---	--

**Example:** PSA032AK131B → PSA Series, 32 A, 1 pole, 60 degrees Rotational, 0-1 on-off Cam switch has been selected.



## Industrial Type Plug & Sockets Selection Table

Series	Body Material	Number Of Contacts	Type	Entry	Locking	Features
<b>EB</b>	<b>M</b>	<b>10</b>	<b>FM</b>	<b>4</b>	<b>4</b>	<b>H</b>
<b>EB</b> EB Series Industrial Type Plugs & Sockets	<b>M</b> Metal <b>P</b> Plastic <b>O</b> Insert	<b>4</b> 4 Poles (10 Amp) <b>5</b> 5 Poles (10 Amp) <b>6</b> 6 Poles (16 Amp) <b>10</b> 10 Poles (16 Amp) <b>16</b> 16 Poles (16 Amp) <b>24</b> 24 Poles (16 Amp) <b>32</b> 32 Poles (16 Amp) <b>48</b> 48 Poles (16 Amp) <b>606</b> 6 Poles (35 Amp) <b>612</b> 12 Poles (35 Amp) <b>806</b> 4x80 Amp, 2x16 Amp <b>812</b> 8x80 Amp, 4x16 Amp	<b>FU</b> Hood With Male Insert <b>FM</b> Housing With Male Insert <b>FD</b> Housing With Male Insert (Surface Mounting) <b>FE</b> Housing with Male Insert (Sloping) <b>PU</b> Hood With Female Insert <b>PM</b> Housing With Female Insert <b>PD</b> Housing With Female Insert (Surface Mounting) <b>PE</b> Female Insert (Sloping) <b>CF</b> Male Insert <b>CP</b> Female Insert <b>GU</b> Hood Only <b>GM</b> Housing <b>GD</b> Housing (Surface Mounting) <b>GE</b> Housing (Sloping)	<b>0</b> Non Entry <b>1</b> Side Entry <b>2</b> Double Side Entry <b>3</b> Top Entry <b>4</b> Bottom Entry <b>5</b> Bottom & Side Entry	<b>0</b> Without <b>1</b> One Handle <b>2</b> Two Handle Roller <b>4</b> Four Handle Roller <b>6</b> Metal Opening (Single Arm) <b>7</b> Metal Handle <b>8</b> Metal Opening (Double Arm)	<b>H</b> Black <b>PG21</b> PG21 Entry <b>PG29</b> PG29 Entry

## IF Series Multi Colour Beacons Selection Table

Series	Diameter	Type	Voltage	Buzzer	Connection	Cable Length
<b>IF</b>	<b>5</b>	<b>M</b>	<b>024</b>	<b>X</b>	<b>M03</b>	<b>-1</b>
<b>IF</b> Series Multi Colour Beacons	<b>3</b> Ø55 mm Diameter <b>5</b> Ø55 mm Diameter <b>6</b> Ø65 mm Diameter	<b>M</b> Multifunction <b>P</b> PLC in sync <b>R</b> Red <b>Y</b> Yellow <b>G</b> Green <b>W</b> White <b>B</b> Blue <b>T</b> 3 colours <b>N</b> NPN PLC compatible <b>C</b> 3 Colours	<b>012</b> 012V AC/DC <b>030</b> 12-30V DC <b>024</b> 024V AC/DC <b>110</b> 110V AC <b>220</b> 220V AC	<b>X</b> w/o Buzzer <b>W</b> Buzzer with Sensitive to Sound <b>Z</b> With Buzzer <b>XR</b> w/o Buzzer Rotational <b>ZR</b> With Buzzer Rotational <b>M</b> w/o Buzzer, Mushroom <b>O</b> w/o Buzzer, Diamond type <b>XF</b> w/o Buzzer, Flash <b>ZF</b> With Buzzer, Flash	<b>M01</b> 100mm Plastic Base <b>M02</b> 20mm Aluminium Base <b>M03</b> 100mm Aluminium Base <b>M04</b> 500mm Aluminium Base <b>M05</b> 22mm Connection <b>M06</b> 200mm Aluminium Base <b>S30</b> 30mm Connection <b>D01</b> Wall Base <b>D02</b> Adjustable Base <b>D40</b> Wall Base, Mounting with Tube, Side Entry <b>D41</b> Wall Base, Mounting with Tube, Bottom Entry (Cable Gland) <b>D50</b> Wall Connection with Base, Side Entry <b>D51</b> Wall Connection with Base, Bottom Entry (Cable Gland)	<b>-0.6</b> 0.6 Metre Cable <b>-1</b> 1 Metre Cable <b>-2</b> 2 Metre Cable <b>-3</b> 3 Metre Cable <b>-5</b> 5 Metre Cable <b>X</b>
				W Valid Only for IF6 Series Z-XR-ZR Valid Only for IF5 Series		

## IT Series Multifunctional Beacon Selection Table

Series	Diameter	Colour	Voltage	Type
<b>IT</b>	<b>120</b>	<b>Y</b>	<b>024</b>	<b>L</b>
<b>IT</b> Series Multifunctional Beacon	<b>120</b> Ø120 mm Diameter	<b>R</b> Red <b>Y</b> Yellow <b>G</b> Green <b>B</b> Blue	<b>024</b> 024V AC/DC <b>48</b> 48V AC <b>110</b> 110V AC <b>220</b> 220V AC	<b>L</b> with LED <b>Z</b> with LED & Buzzer