



IF5T024ZM05

IF6P024WM05



IT070R240Z

IK53F024ZM03



IF5M024XM05



IF3P024XS30-1



IT120G024Z



IKML110Y

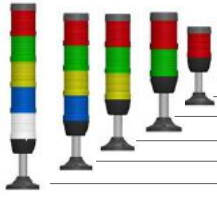


IT120Y024

Signalling Devices

IK Series

Light Towers can be purchased as complete or modular. Mounting system is easy with plug and turn system without any mounting equipment.



COMPLETE LIGHT TOWER Dia 50 mm (with 100 mm Aluminium connection, body and Lamps)

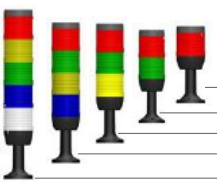
Code	Illumination	Buzzer
IK51L * XM03	LED	-
IK52L * XM03	LED	-
IK53L * XM03	LED	-
IK54L * XM03	LED	-
IK55L * XM03	LED	-

Code	Illumination	Buzzer
IK51F * XM03	with Flashing LED	-
IK52F * XM03	with Flashing LED	-
IK53F * XM03	with Flashing LED	-
IK54F * XM03	with Flashing LED	-
IK55F * XM03	with Flashing LED	-



Code	Illumination	Buzzer
IK50X * ZM03	-	90 dB
IK51L * ZM03	LED	90 dB
IK52L * ZM03	LED	90 dB
IK53L * ZM03	LED	90 dB
IK54L * ZM03	LED	90 dB

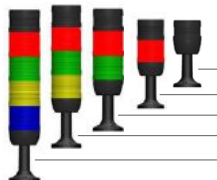
Code	Illumination	Buzzer
IK50X * ZM03	-	90 dB
IK51F * ZM03	with Flashing LED	90 dB
IK52F * ZM03	with Flashing LED	90 dB
IK53F * ZM03	with Flashing LED	90 dB
IK54F * ZM03	with Flashing LED	90 dB



COMPLETE LIGHT TOWER Dia 70 mm (100 mm Plastic connection, body and Lamps)

Code	Illumination	Buzzer
IK71L * XM01	LED	-
IK72L * XM01	LED	-
IK73L * XM01	LED	-
IK74L * XM01	LED	-
IK75L * XM01	LED	-

Code	Illumination	Buzzer
IK71F * XM01	with Flashing LED	-
IK72F * XM01	with Flashing LED	-
IK73F * XM01	with Flashing LED	-
IK74F * XM01	with Flashing LED	-
IK75F * XM01	with Flashing LED	-



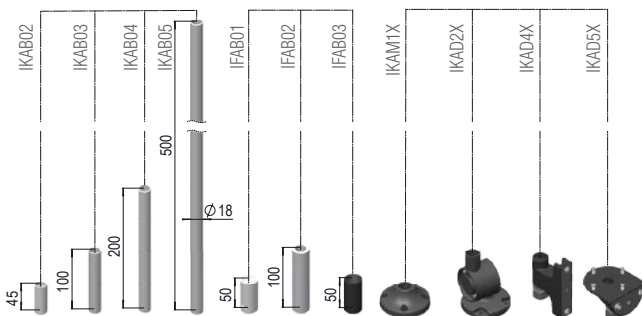
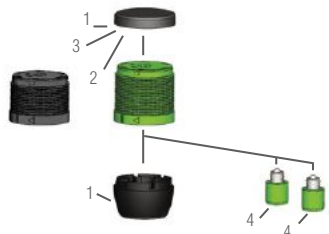
Code	Illumination	Buzzer
IK70X * ZM01	-	90 dB
IK71L * ZM01	LED	90 dB
IK72L * ZM01	LED	90 dB
IK73L * ZM01	LED	90 dB
IK74L * ZM01	LED	90 dB

Code	Illumination	Buzzer
IK70X * ZM01	-	90 dB
IK71F * ZM01	with Flashing LED	90 dB
IK72F * ZM01	with Flashing LED	90 dB
IK73F * ZM01	with Flashing LED	90 dB
IK74F * ZM01	with Flashing LED	90 dB

* Shows the voltage of the LED. When it is written "024", it means that it is 24V AC/DC, when written "220" it is 220VAC, "110" it is 110V AC. For IP65 please add E letter to the end of the code. (Excluding buzzer versions)

Each Light Tower consists of below components.

1. Body and Cover
2. Signal Modules (5 Colour)
3. Buzzer module
4. LED, Flashing LED
5. Connection



MODULES

1-Body and Cover

IKM5G Dia 50 mm

* Maximum up to 5 modules can be mounted



1-Body and Cover

IKM7G Dia 70mm

* Maximum up to 5 modules can be mounted



2- Signal Modules

IKM5* 50 mm

Heat resistant polycarbonate material
(*) B M S Y K



2- Signal Modules

IKM7* 70 mm

Heat resistant polycarbonate material
(*) B M S Y K



3- Buzzer Modules

IKM5Z024
50 mm / 90 dB
IKM5Z110
50 mm / 90 dB
IKM5Z220
50 mm / 90 dB



3- Buzzer Modules

IKM7Z024
70 mm / 90 dB
IKM7Z110
70 mm / 90 dB
IKM7Z220
70 mm / 90 dB



4- Lamps

Nominal Voltage	with LED	Colour
24V AC/DC	IKML024*	(B) (K) (Y) (S) (M)
110V AC	IKML110*	(B) (K) (Y) (S) (M)
220V AC	IKML220*	(B) (K) (Y) (S) (M)

Nominal Voltage	with Flashing LED	Colour
24V AC/DC	IKMF024*	(B) (K) (Y) (S) (M)
110V AC	IKMF110*	(B) (K) (Y) (S) (M)
220V AC	IKMF220*	(B) (K) (Y) (S) (M)

Please choose the color instead of (*) i.e. IKML024Y
Note. One lamp should be added for each Signal module.



IKML024K



IKML110Y

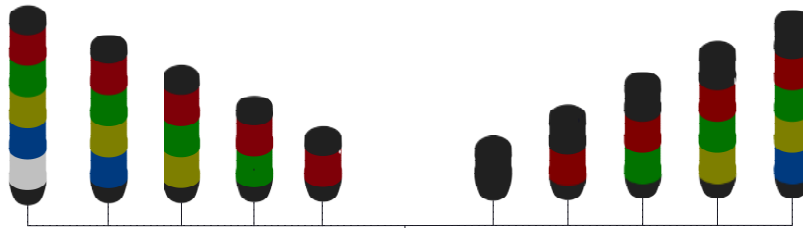


IKML220M



IKMF024S

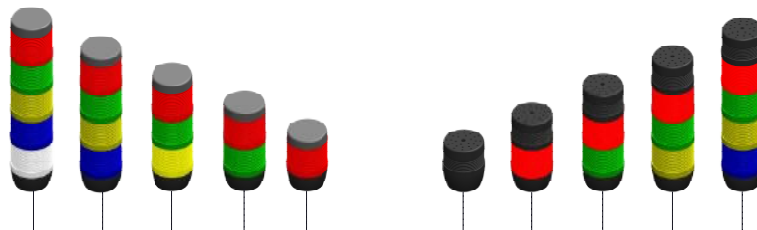
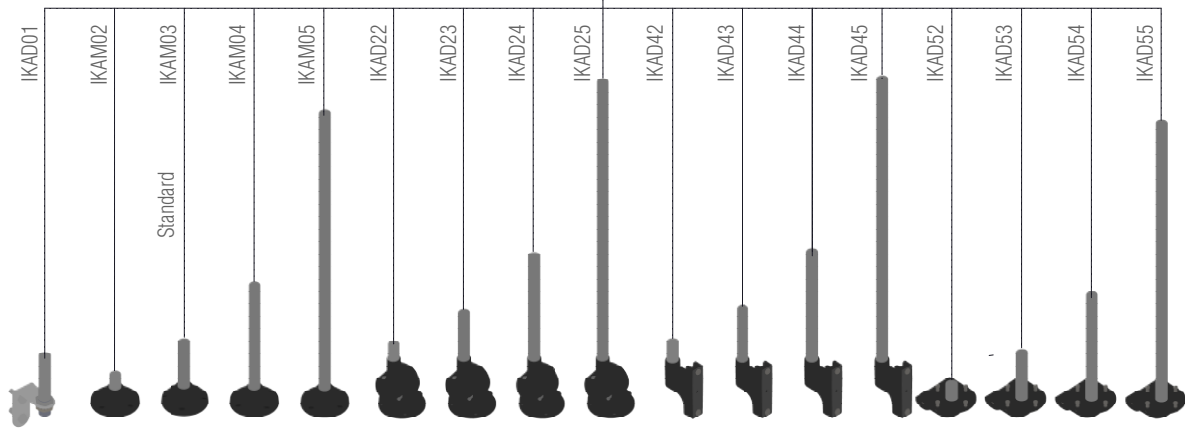
IK General Mounting



IK5****X***

IK5****Z*** (With Buzzer)

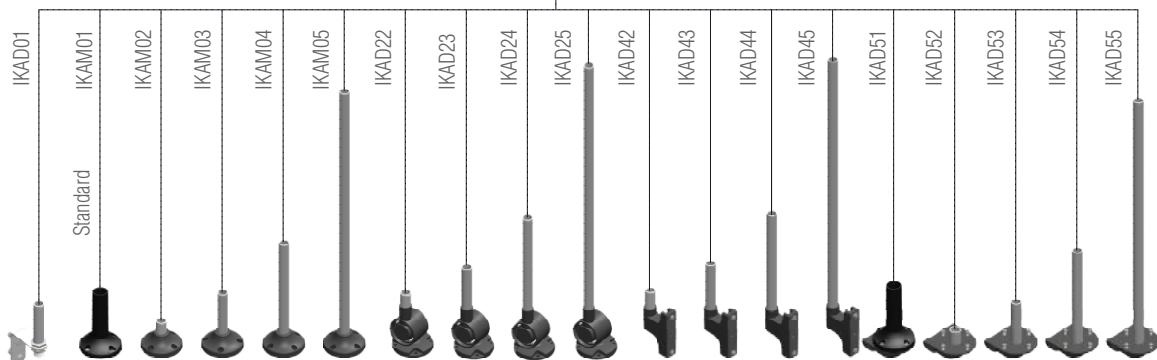
Instead of "xxx" end of the page, write down three letter of below codes.



IK7****X***

IK7****Z*** (With Buzzer)

Instead of "xxx" end of the page, write down three letter of below codes.



IF Series Multi Colour Beacons with Ø 22 mm connection, IP65



IF Series

- Single body, multi colour
- Ø22 mm Connection
- Flashing and normal LED mode available in same module.
- 90 dB Buzzer



IF3P0240S30-1



IF3P024MS30-1



IF5T024ZM05



IF5M220ZM05



IF6P024WM05

Code	Illumination	Features	Nominal Voltage	Box/Pcs
IF3P0240S30-1	LED	Without Buzzer, Diamond Shape, 5 Colours, for PNP Application	24V DC	1
IF3N0240S30-1	LED	Without Buzzer, Diamond Shape, 5 Colours, for NPN Application	24V DC	1
IF3P024MS30-1	LED	Without Buzzer, Round Shape, 5 Colours, for PNP Application	24V DC	1
IF3N024MS30-1	LED	Without Buzzer, Round Shape, 5 Colours, for NPN Application	24V DC	1
IF5*024XM05	LED	Single Colour	24V AC/DC	1
IF5*024XM05	LED	Single Colour, Rotational	24V AC/DC	1
IF5*024ZM05	LED	Single Colour, With Buzzer	24V AC/DC	1
IF5*024ZRM05	LED	Single Colour, With Buzzer, Rotational	24V AC/DC	1
IF5*220XM05	LED	Single Colour	220V AC	1
IF5*220XRM05	LED	Single Colour, Rotational	220V AC	1
IF5*220ZM05	LED	Single Colour, With Buzzer	220V AC	1
IF5*220ZRM05	LED	Single Colour, With Buzzer, Rotational	220V AC	1
IF5M012XM05	LED	5 Colours	12V AC/DC	1
IF5M012ZM05	LED	5 Colours, With Buzzer	12V AC/DC	1
IF5M024XM05	LED	5 Colours	24V AC/DC	1
IF5M024ZM05	LED	5 Colours, With Buzzer	24V AC/DC	1
IF5M110XM05	LED	5 Colours	110V AC	1
IF5M110ZM05	LED	5 Colours, With Buzzer	110V AC	1
IF5M220XM05	LED	5 Colours	220V AC	1
IF5M220ZM05	LED	5 Colours, With Buzzer	220V AC	1
IF5P024XM05	LED	Single Module 5 Colours, for PNP application	24V DC	1
IF5P024ZM05	LED	Single Module 5 Colours, for PNP application, with Buzzer	24V DC	1
IF5N024XM05	LED	Single Module 5 Colours, for NPN application	24V DC	1
IF5N024ZM05	LED	Single Module 5 Colours for NPN application, with Buzzer	24V DC	1
IF5T024XM05	LED	3 Layers in Single Body, 3 Colours, PLC Harmonized	24V DC	1
IF5T024ZM05	LED	3 Layers in Single Body, 3 Colours, PLC Harmonized+with Buzzer	24V DC	1
IF6P024WM05	LED	PLC Harmonized, 5 Colours, with Self-Adjusted Buzzer**	24V DC	1

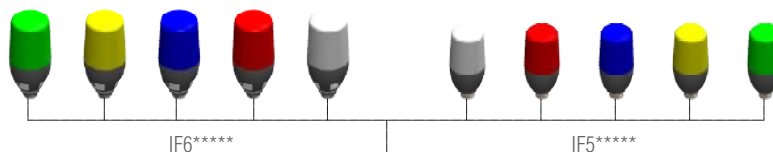
Note: For base options, please choose metal bases from page 70. Should be used with IFAB01 or IFAB03.

* Single Colour

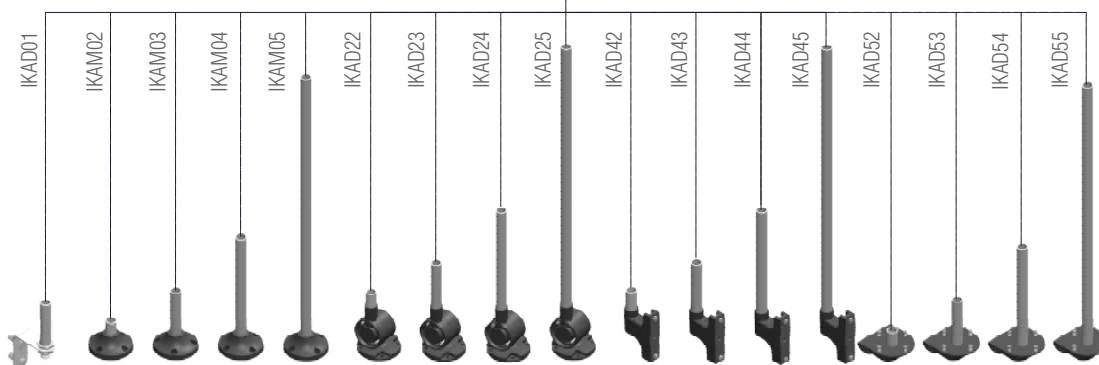
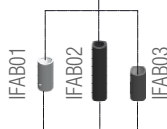
** If the environment noise is less than 80dB the beacon will sound at 90dB. If the environment noise is greater than 80dB the beacon automatically changes the sound to 105dB.

R: Red, G: Green, Y: Yellow, B: Blue, W: White

IF General Mounting



Instead of "xxx" end of the page, write down three letter of below codes.



IF and IK Series Mounting Options IP 65

Code	Features
IKAM01	100 mm Plastic base
IKAM1X	Connection to base
IKAM02	Connection to base with 10 mm tube
IKAM03	Connection to base with 100 mm tube
IKAM04	Connection to base with 200 mm tube
IKAM05	Connection to base with 500 mm tube
IKAD01	Wall Connection, 100 mm Aluminium tube
IKAD2X	Adjustable wall elbow
IKAD22	Adjustable Wall Elbow with 10 mm tube
IKAD23	Adjustable Wall Elbow with 100 mm tube
IKAD24	Adjustable Wall Elbow with 200 mm tube
IKAD25	Adjustable Wall Elbow with 500 mm tube
IKAD4X	Wall connection with - Bottom Entry (with cable gland)
IKAD42	Wall connection, bottom entry (with cable gland) with 10 mm tube
IKAD43	Wall connection, bottom entry (with cable gland) with 100 mm tube
IKAD44	Wall connection, bottom entry (with cable gland) with 200 mm tube
IKAD45	Wall connection, bottom entry (with cable gland) with 500 mm tube
IKAD5X	Wall connection with base - Bottom Entry (with cable gland)
IKAD52	Wall connection, bottom entry (with cable gland) with 10 mm tube
IKAD53	Wall connection, bottom entry (with cable gland) with 100 mm tube
IKAD54	Wall connection, bottom entry (with cable gland) with 200 mm tube
IKAD55	Wall connection, bottom entry (with cable gland) with 500 mm tube
IKAB02	45 mm tube
IKAB03	100 mm tube
IKAB04	200 mm tube
IKAB05	500 mm tube
IFAB01	Base Adaptation Part (50mm)
IFAB02	Base Adaptation Part (100mm)
IFAB03	Base Adaptation Part-Black (100 mm)



IFAB01



IFAB03

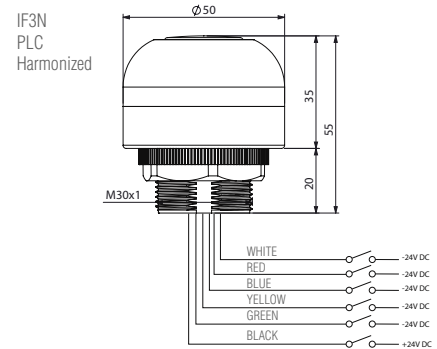
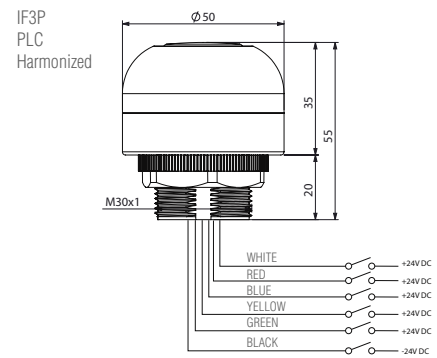
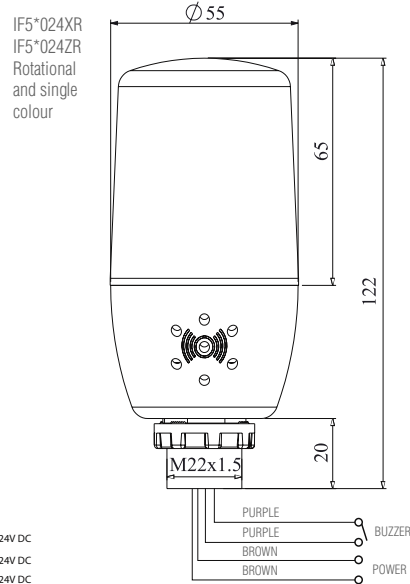
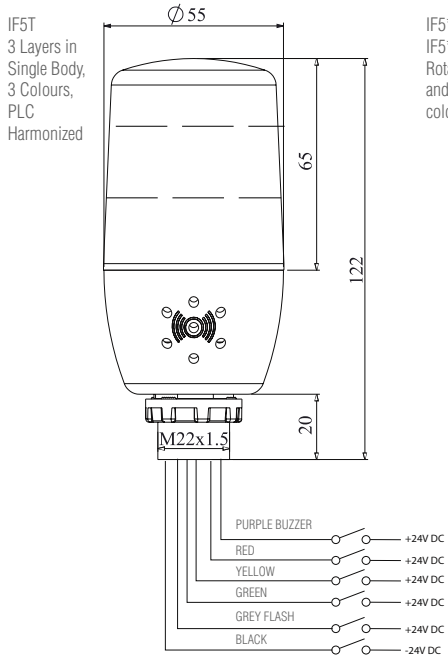
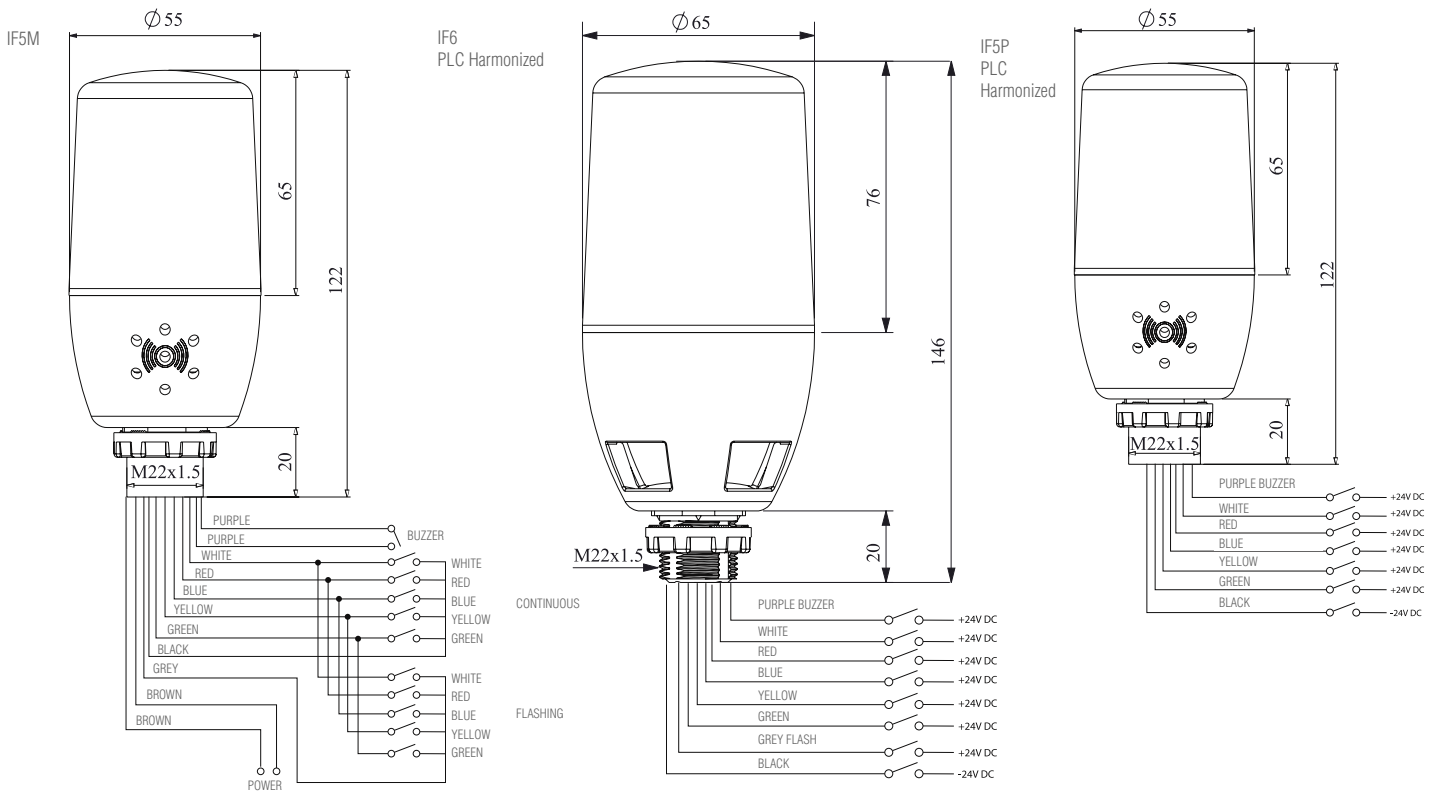


IKAM02



IKAD22

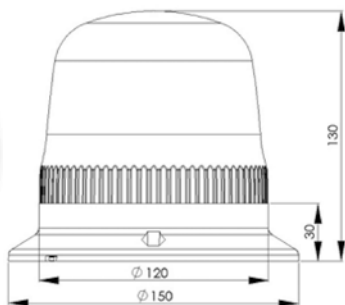
IF Series Multi Colour Beacons with $\varnothing 22$ mm Connection, IP65



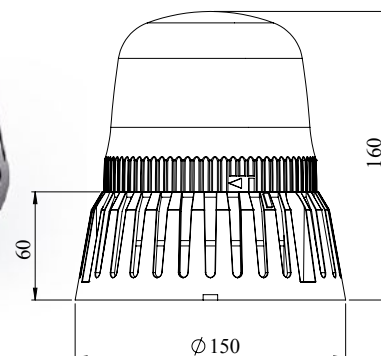
IT Series, IP65



IT120R024



IT120R024Z



Beacon

General Specification;

- Fireproof plastic body
- Polycarbonate lens
- Base and wall-mount
- Unaffected by water, dust, heat and UV.
- Wear-free due to the absence of moving components
- Long life
- Melody and Silent mode. (for Buzzer models)
- 7 LED modes
- IP 65 rating

Technical Specification;

- Operating Voltage: 12-24V AC/DC, 48-110- 220V AC,
- Current consumption: 3,4W (at 24 V DC by rotating mode)
- Operating temperature: -20 / +50 C°
- Storage temperature: -20 / +70 C°
- 105dB Buzzer

Modes

- Rotation 100 RPM :
- Rotation 160 RPM :
- Single Blink
- 3 Blink
- 6 Blink
- Right-Left Blink
- Blinker



IT070R024Z

Code	Light	Colour	Features	Voltage	Box/Pcs
IT070R024Z	Led	R	With Buzzer	12-24V AC/DC	1
IT070R240Z	Led	R	With Buzzer	48-240V AC/DC	1
IT070Y024Z	Led	Y	With Buzzer	12-24V AC/DC	1
IT070Y240Z	Led	Y	With Buzzer	48-240V AC/DC	1
IT070G024Z	Led	G	With Buzzer	12-24V AC/DC	1
IT070G240Z	Led	G	With Buzzer	48-240V AC/DC	1
IT070R024C	Led	R	Buzzer Enable	12-24V AC/DC	1
IT070R230C	Led	R	Buzzer Enable	230V AC	1
IT120R024	Led	R		12-24V AC/DC	1
IT120R024Z	Led	R	With Buzzer	12-24V AC/DC	1
IT120R048	Led	R		48V AC	1
IT120R220	Led	R		110-220V AC	1
IT120R220Z	Led	R	With Buzzer	110-220V AC	1
IT120Y024	Led	Y		12-24V AC/DC	1
IT120Y024Z	Led	Y	With Buzzer	12-24V AC/DC	1
IT120Y048	Led	Y		48V AC	1
IT120Y220	Led	Y		110-220V AC	1
IT120Y220Z	Led	Y	With Buzzer	110-220V AC	1
IT120G024	Led	G		12-24V AC/DC	1
IT120G024Z	Led	G	With Buzzer	12-24V AC/DC	1
IT120G048	Led	G		48V AC	1
IT120G220	Led	G		110-220V AC	1
IT120G220Z	Led	G	With Buzzer	110-220V	1

Note: Please add "C" letter at the end of the code in order to have buzzer as optional for *IT070 type beacons.