

# TK30S SERIES CURRENT TRANSFORMER

TK30S SERIES

**VTEKE**<sup>®</sup>

www.vteke.com.tr

**FEATURES**

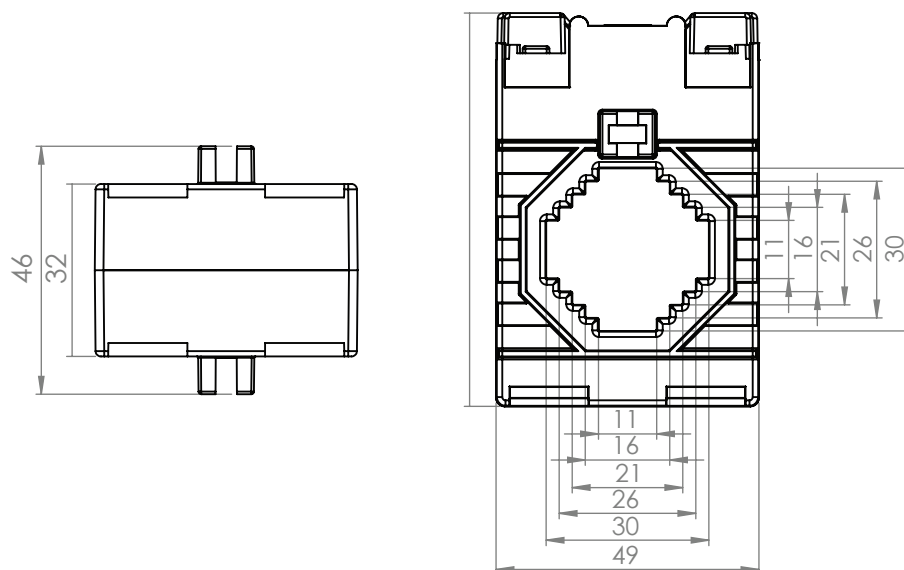
Window-type current transformer with sealable terminal cover, suitable for primary currents from 40A to 600A AC; available in 1A or 5A AC secondary current; and accuracy classes 0.5, 1.0, 3.0 or Class 5.0.

**TECHNICAL DATA**

PARAMETER	VALUE
Standarts	IEC 60044-1, IEC 61869-2, VDE 0414-1, DIN57414, BS3938, BS7626, EN 61869-2
CT Ratio	From 40A to 600A
Rated Power	Up to 5VA
Accuracy class	Class 0.5, Class 1.0, Class 3.0 or Class 5.0
Terminal	Integral terminal cover, high cross section brass terminal for extra safety
Case	Non-flammable self-extinguishing ABS/PC
Mounting	Various mounting options
Ambient temperature (operation)	-25 C ~ +85 C
Primary conductor	30 x 10 mm
Round conductor	Ø 26 mm
Number of input	1
Thermal rated short-time current	$I_{th} = 60 * I_n$
Thermal rated continuous current	$I_d = 1 * I_n$
Rated frequency	50 Hz ... 60 Hz
Surge current limitation factor	FS 5
Test voltage	3 kV for 1 min
Max system voltage	0.72 kV



**DIMENSION**



**PRODUCT CODES**

CLASS		5	3	1	0.5
SERIES	CURRENT RATIO	BURDEN (VA)			
TK30S	40/5	1	-	-	-
	50/5	1	-	-	-
	60/5	1,5	1,5	-	-
	75/5	-	1,5	-	-
	80/5	-	-	1	-
	100/5	-	-	1,5	-
	125/5	-	-	1,5	-
	150/5	-	-	2,5	2,5
	160/5	-	-	2,5	2,5
	200/5	-	-	2,5	2,5
	250/5	-	-	2,5	2,5
	300/5	-	-	2,5	2,5
	400/5	-	-	3,75	2,5
	500/5	-	-	3,75	2,5
	600/5	-	-	3,75	2,5

**CURRENT TRANSFORMER CODING MAP**

**XX-XXX-XXXX-X-X-XX**

SERIES CODE	HOLE SIZE (mm)	PRIMARY (A)	SECONDARY (A)	CLASS		BURDEN (VA)	
				CODE	CLASS	CODE	VA
CK	20	40	1	1	1	01	1
TK	30S	.	5	2	0.5	02	1.5
DK	30	.		3	0.5S	03	2.5
	40	.		4	0.1	04	3.75
	60	.		5	0.1S	05	5
	80	5000		6	0.2	06	7.5
	100			7	0.2S	07	10
	125			8	5	08	12.5
				9	3	09	15
						10	20
					11	25	
					12	30	
					13	40	
					14	50	
					15	60	

**Order Example: TK30S 300/5A, CL.1.0, 3.75 VA  
Code: TK30S3005104**

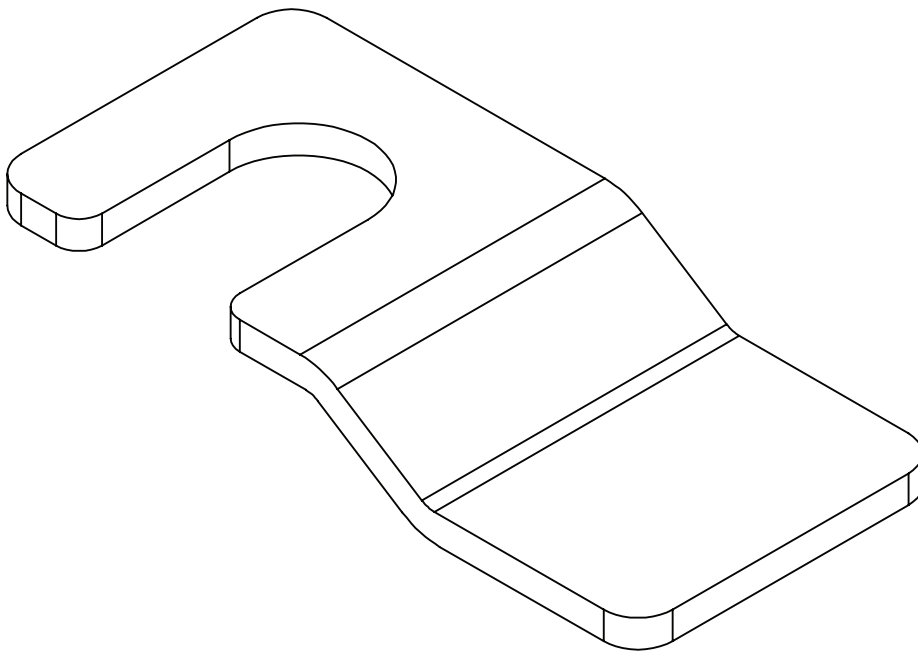
## NOTE:

- Different specifications can be supplied on request.
- Different amper ratio, burden and 1A secondary current can be supplied on request
- DIN rail mountaing clip can be supplied on request

## INSTALLATION OPTIONS:

- Metal feet for wall or base mounting

### METAL FEET



KK0002

Loss in copper wires between instrument and CT for 5A secondary

LOSS IN VA (FOR BOTH WIRES)						
Wire section in mm <sup>2</sup>	CURRENT RATIO			BURDEN (VA)		
1.5	0.6	1.19	2.38	3.57	4.76	5.95
2.5	0.36	0.71	1.43	2.14	2.86	3.57
4	0.22	0.45	0.89	1.34	1.79	2.23
6	0.15	0.3	0.60	1.89	1.19	1.49
10	0.09	0.18	0.36	0.54	0.71	0.89